

RE-DIMMED HOLES, ADD SEPERATE SHEET FOR LOCKING

3	4/18/2008	NAH
REVISIONS		

UNLESS OTHERWISE SPECIFIED:
 DIMENSIONS ARE IN INCHES
 TOLERANCES:
 .X =
 .XX =
 .XXX =
 ANGULAR: ±1.0°, FRACTIONS: ±1/16
 BREAK SHARP EDGES - .015 X 45°.
 RADIUS SHARP FILLETS - .015 TO .031

SIGNATURES	DATE
DESIGNED NAH	2/5/2007
DRAWN NAH	2/5/2007
CHECKED	2/5/2007

Perlick Corporation
 Milwaukee, Wisconsin

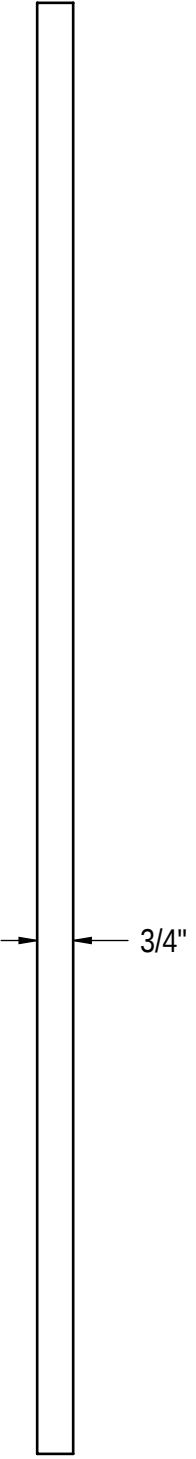
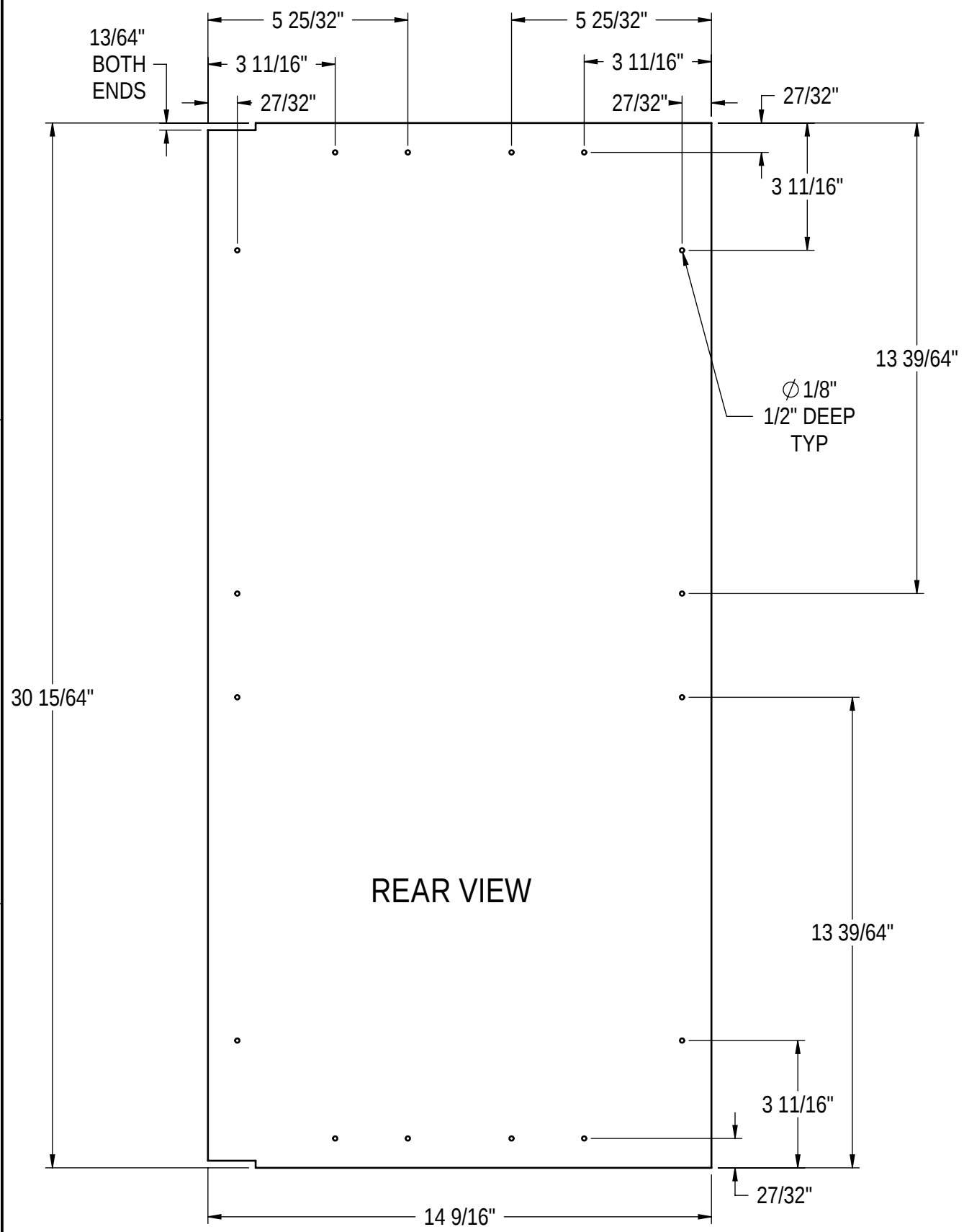
TITLE:
**WOOD OVERLAY PANEL
 DRAWER 15**

MATERIAL:
 WOOD

QTY.:
 FINISH:

REFERENCE:	DWG NO.
PART NO.	WOOD DRAWER PANEL 15
PURCHASE REC.:	SCALE = 1:4 SHEET 1 OF 5

THIS DOCUMENT / PUBLICATION / SOFTWARE / DRAWING CONTAINS PROPRIETARY INFORMATION WHICH IS THE PROPERTY OF THE PERLICK CORPORATION. IT MAY NOT BE REPRODUCED OR TRANSMITTED IN ANY FORM, ELECTRONIC OR MECHANICAL, INCLUDING PHOTOCOPYING, RECORDING, OR USED IN ANY INFORMATION STORAGE, TRANSMISSION, OR RETRIEVAL SYSTEM, WITHOUT WRITTEN PERMISSION FROM THE PERLICK CORPORATION. COPYRIGHT 2001 PERLICK CORPORATION. ALL RIGHTS RESERVED.

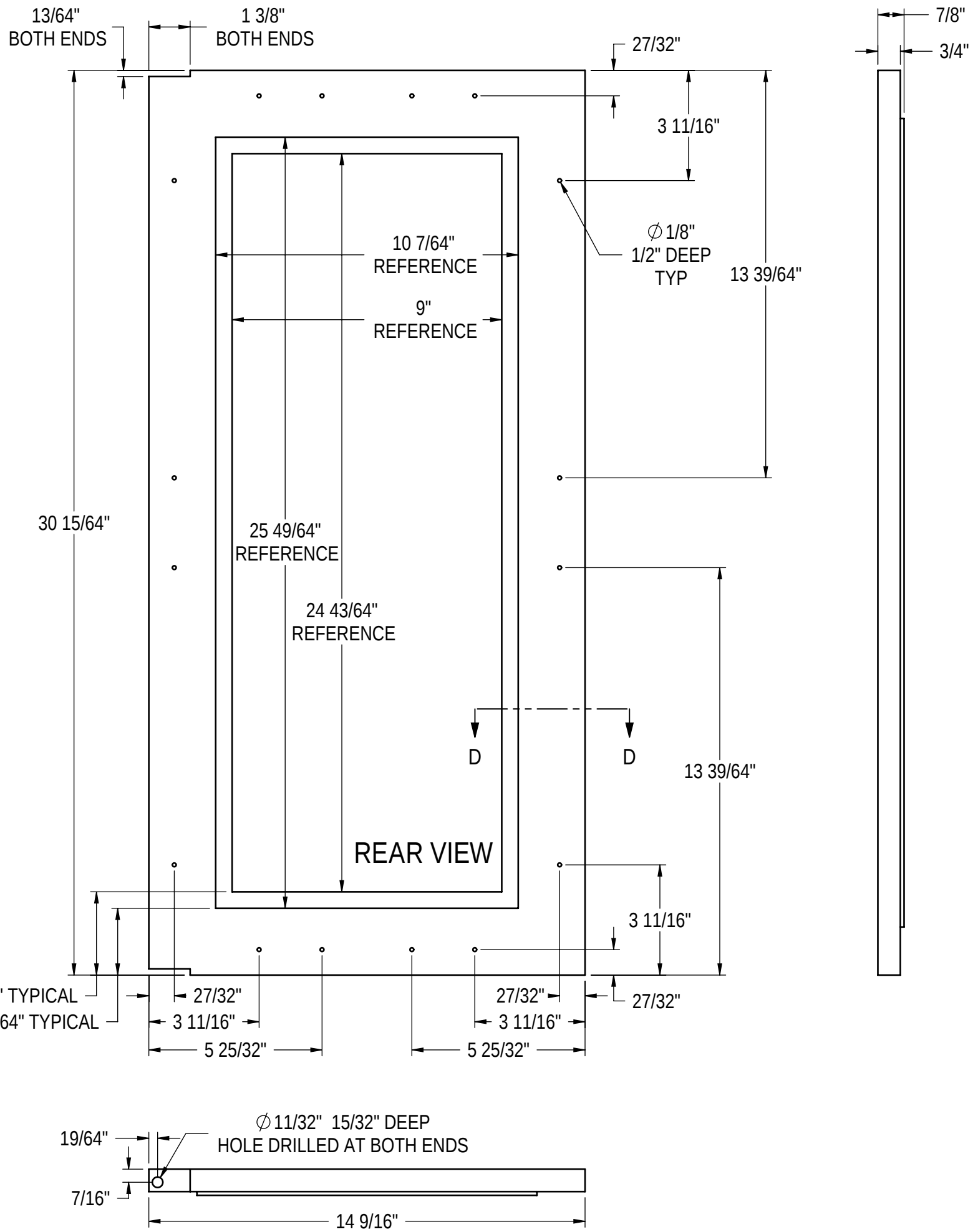


RE-DIMMED HOLES, ADD SEPERATE SHEET FOR LOCKING

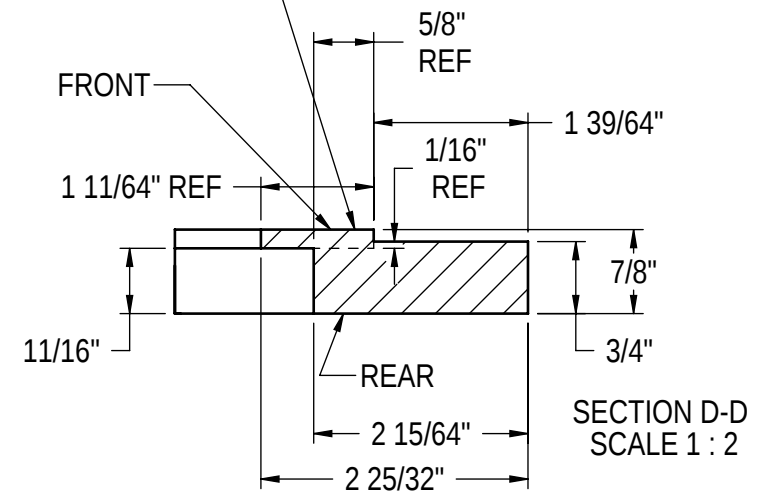
REVISIONS		
3	4/18/2008	NAH

<small>UNLESS OTHERWISE SPECIFIED: DIMENSIONS ARE IN INCHES TOLERANCES: .XX = .XXX = ANGULAR: ±1.0°, FRACTIONS: ±1/16 BREAK SHARP EDGES - .015 X 45°. RADIUS SHARP FILLETS - .015 TO .031</small>	SIGNATURES	DATE	Perlick Corporation Milwaukee, Wisconsin TITLE: WOOD OVERLAY PANEL SOLID 15IN	
	DESIGNED NAH	2/5/2007		
	DRAWN NAH	2/5/2007		
	CHECKED	2/5/2007	REFERENCE:	
MATERIAL: WOOD	QTY.:		PART NO.	DWG NO. WOOD DOOR PANEL 15
	FINISH:		PURCHASE REC.:	SCALE = 1:4 SHEET 4 OF 5

THIS DOCUMENT / PUBLICATION / SOFTWARE / DRAWING CONTAINS PROPRIETARY INFORMATION WHICH IS THE PROPERTY OF THE PERLICK CORPORATION. IT MAY NOT BE REPRODUCED OR TRANSMITTED IN ANY FORM, ELECTRONIC OR MECHANICAL, INCLUDING PHOTOCOPYING, RECORDING, OR USED IN ANY INFORMATION STORAGE, TRANSMISSION, OR RETRIEVAL SYSTEM, WITHOUT WRITTEN PERMISSION FROM THE PERLICK CORPORATION. COPYRIGHT 2001 PERLICK CORPORATION. ALL RIGHTS RESERVED.



THIS OUTER FRAME CAN ALSO BE ACCOMPLISHED BY MILLING A 1/16in SEAT AROUND THE OPENING AND APPLYING A SEPERATE 1/8in WOOD STRIP TO THE OUTSIDE OF THE DOOR,



RE-DIMMED HOLES, ADD SEPERATE SHEET FOR LOCKING

3	4/18/2008	NAH
---	-----------	-----

REVISIONS

UNLESS OTHERWISE SPECIFIED: DIMENSIONS ARE IN INCHES TOLERANCES: .X = .XX = .XXX = ANGULAR: ±1.0°, FRACTIONS: ±1/16 BREAK SHARP EDGES - .015 X 45°. RADIUS SHARP FILLETS - .015 TO .031	SIGNATURES	DATE
	DESIGNED NAH	2/6/2007
	DRAWN NAH	2/6/2007
	CHECKED	2/6/2007
MATERIAL: WOOD	QTY.:	
	FINISH:	

Perlick Corporation Milwaukee, Wisconsin		
TITLE: WOOD OVERLAY GLASS PANEL 15in		
REFERENCE:	DWG NO.	
PART NO.	WOOD GLASS PANEL	
PURCHASE REC.:	SCALE = 1:4	SHEET 2 OF 3

THIS DOCUMENT / PUBLICATION / SOFTWARE / DRAWING CONTAINS PROPRIETARY INFORMATION WHICH IS THE PROPERTY OF THE PERLICK CORPORATION. IT MAY NOT BE REPRODUCED OR TRANSMITTED IN ANY FORM, ELECTRONIC OR MECHANICAL, INCLUDING PHOTOCOPYING, RECORDING, OR USED IN ANY INFORMATION STORAGE, TRANSMISSION, OR RETRIEVAL SYSTEM, WITHOUT WRITTEN PERMISSION FROM THE PERLICK CORPORATION. COPYRIGHT 2001 PERLICK CORPORATION. ALL RIGHTS RESERVED.

