



# 15" Signature Series Clear Ice Maker

Model Nos.     H50IMS-L     H50IMS-R     H50IMW

Job	_____
Area	_____
Item No.	_____
Model No.	_____



H50IMS-L



### Features

- Front vented, forced air refrigeration system
- Up to 55 lbs. of ice production per 24 hours
- Durable stainless steel exterior
- UL approved for outdoor use
- Power switch accessible without panel removal
- Easily disassembled water circuit for easy cleaning
- Storage capacity of 22 lbs
- Optional drain pump
- Clear ice production
- Top-hat ice shape
- R-134a Refrigerant

*Luxury* YOU DESIRE  
 INNOVATION YOU CAN'T LIVE WITHOUT

Form No.080210  
Rev. 01.31.2011



8300 W. Good Hope Rd. • Milwaukee, WI 53223  
1-800-558-5592 • Fax: (414) 353-7069 • perlick.com

Perlick is committed to continuous improvement. Therefore, we reserve the right to change specifications without warning.

# 15" Signature Series Clear Ice Maker

Indoor Models	Ice Maker
H50IMS-L	15" Clear Ice Maker with solid stainless door - left hinge
H50IMS-R	15" Clear Ice Maker with solid stainless door - right hinge
H50IMW	15" Clear Ice Maker with solid wood overlay door - left or right hinge

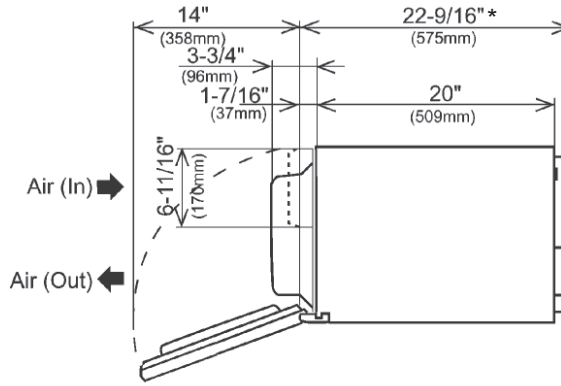
**Operating Limits:** Ambient Temp Range: 45°-100°F  
 Water Temp. Range: 45°-95°F  
 Voltage Range: 104-127V  
 Water Pressure: 7-113 psig

**Electrical:** 115V, 60 Hz, 1 phase AC,  
 Amperage: 3.4  
 15 amp Max Fuse/HACR Breaker Size

**Plumbing:** 1/2" FPT Water Inlet, 1/2" FPT Drain

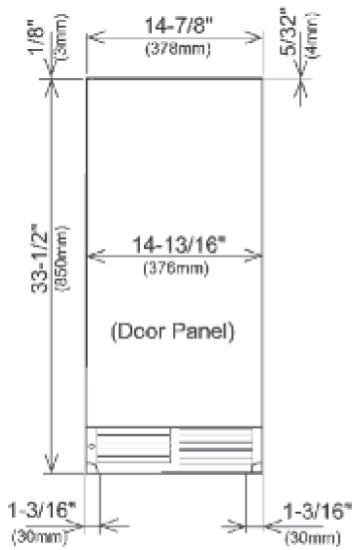
**Production:** Up to 55 lbs. of ice per 24 hours

**Shipping Weight:** 115 lbs.

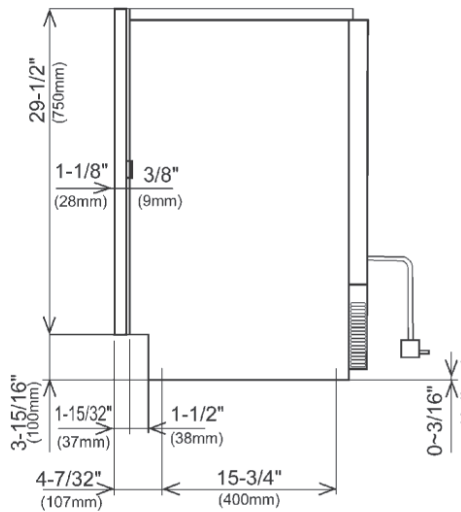


**TOP DIMENSIONS**

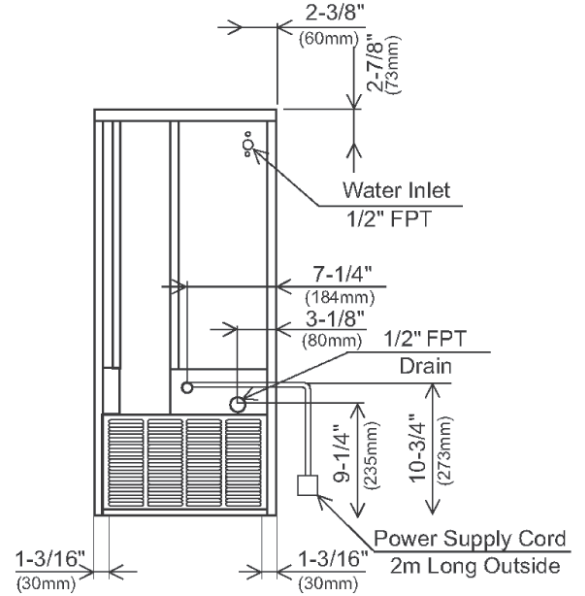
\* Standard handle adds 1-3/8" to overall depth



**FRONT DIMENSIONS**



**SIDE DIMENSIONS**



**BACK DIMENSIONS**



8300 W. Good Hope Rd. • Milwaukee, WI 53223  
 1-800-558-5592 • Fax: (414) 353-7069 • perlick.com

Perlick is committed to continuous improvement. Therefore, we reserve the right to change specifications without warning.