



# Shallow-Depth Series

## 18" Depth Wine Reserve

- HH24WS-1L       HH24WS-1R       HH24WS-2L       HH24WS-2R
- HH24WS-3L       HH24WS-3R       HH24WS-4L       HH24WS-4R

Job \_\_\_\_\_  
 Area \_\_\_\_\_  
 Item No. \_\_\_\_\_  
 Model No. \_\_\_\_\_



HH24WS-3L



HH24WS-1L

### Features

- 32" height with leveling legs
- Designed for maximum capacity while adhering to strict 34-inch counterheight ADA compliant requirements
- 18" depth for design flexibility
- Zero-clearance hinging allows for abutment with surrounding cabinetry
- Best in Class 700 Btu commercial-grade compressor
- Front-vented, RAPIDcool forced-air refrigeration system
- Commercial-grade stainless steel interior
- **Industry-Exclusive** convertible door design allows all doors the ability to be converted to wood overlay from stainless steel
- Low E, UV coated glass provides industry leading insulation and protection.
- 3.8 cubic feet of capacity

### Wine Center Features

- Available with solid stainless door, solid wood overlay door, glass with stainless trim door or glass with wood trim door
- Four (4) shelves will store 20 wine bottles with extra storage under shelves for additional bottles
- Shelving positions are adjustable to suit your needs
- Wine Reserve temperature 40° - 65° F

*Luxury* YOU DESIRE

INNOVATION YOU CAN'T LIVE WITHOUT

Form No.080210  
Rev. 07.11.2011



8300 W. Good Hope Rd. • Milwaukee, WI 53223  
1-800-558-5592 • Fax: (414) 353-7069 • perlick.com

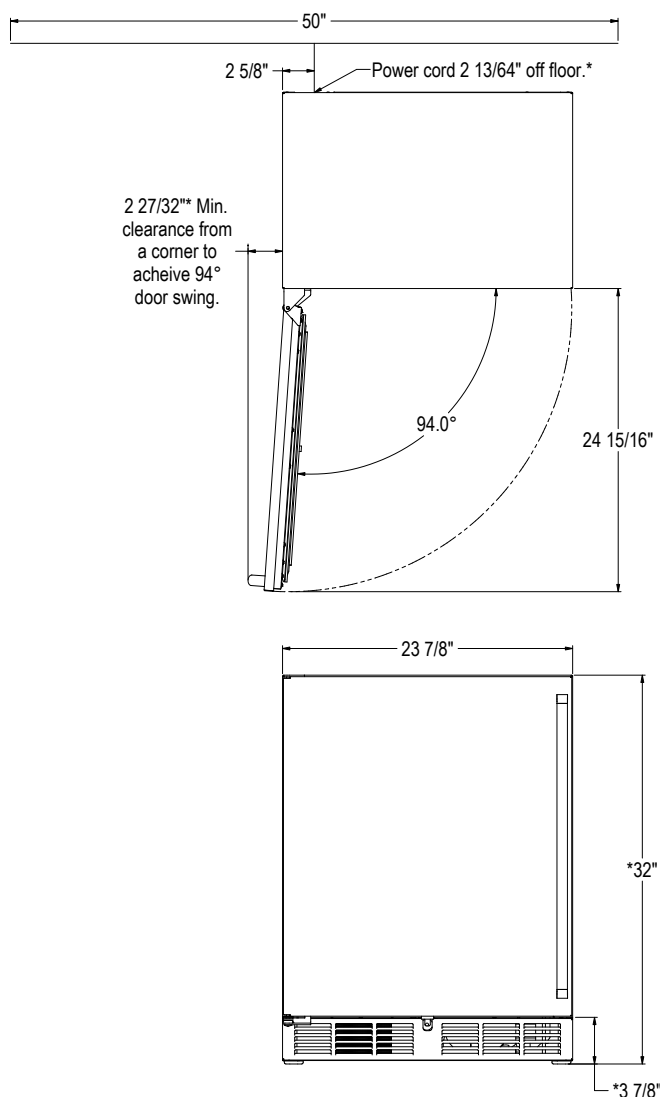
Perlick is committed to continuous improvement. Therefore, we reserve the right to change specifications without warning.

## Shallow-Depth Series

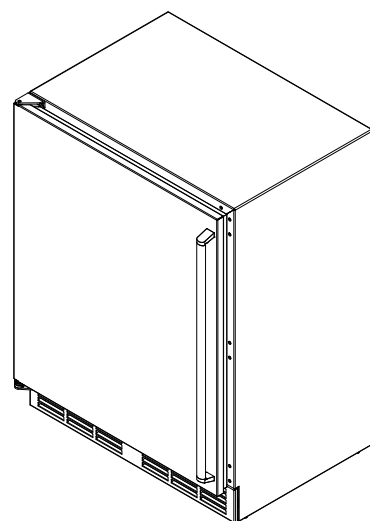
| Wine Reserves |  |
|---------------|--|
| HH24WS-1L     | 18" depth One Door Cabinet with solid stainless steel door hinge left          |
| HH24WS-1R     | 18" depth One Door Cabinet with solid stainless steel door hinge right         |
| HH24WS-2L     | 18" depth One Door Cabinet with integrated solid wood overlay door hinge left  |
| HH24WS-2R     | 18" depth One Door Cabinet with integrated solid wood overlay door hinge right |
| HH24WS-3L     | 18" depth One Door Cabinet with stainless steel glass door hinge left          |
| HH24WS-3R     | 18" depth One Door Cabinet with stainless steel glass door hinge right         |
| HH24WS-4L     | 18" depth One Door Cabinet with integrated wood overlay glass door hinge left  |
| HH24WS-4R     | 18" depth One Door Cabinet with integrated wood overlay glass door hinge right |

**24" Electrical:** 115V, 60 Hz, 1 Phase, 2.3 amps  
**Plumbing:** None Required  
**Shipping Weight:** 185 lbs  
**Refrigerated Volume:** 3.8 cubic ft.

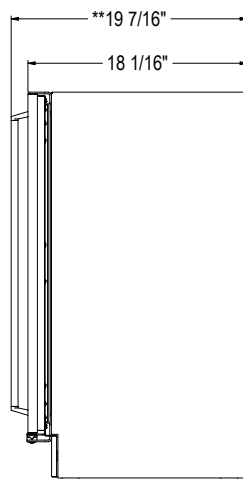
**\*See installation manual for Electrical Receptacle location**



\*- Leg levelers can add 3/4" to these dimensions when fully extended.



\*\*-. Value may change due to custom pull with a wood overlay door.



Form No.080210  
Rev. 07.11.2011



**8300 W. Good Hope Rd. • Milwaukee, WI 53223**  
**1-800-558-5592 • Fax: (414) 353-7069 • perlick.com**

Perlick is committed to continuous improvement. Therefore, we reserve the right to change specifications without warning.