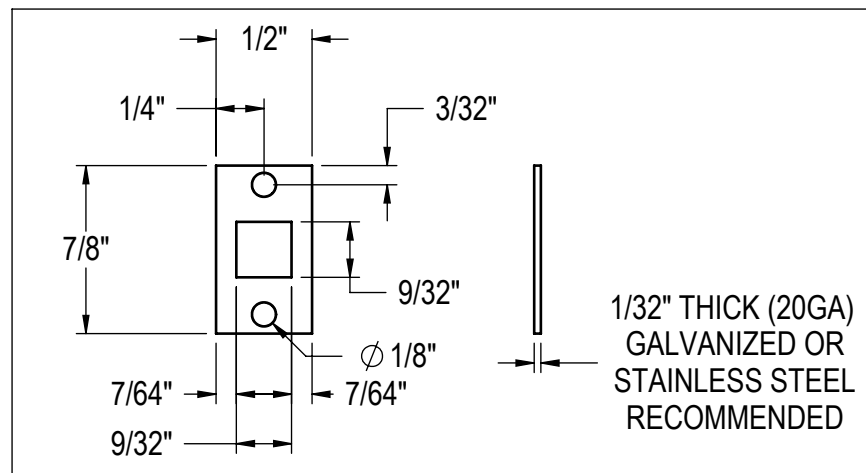


NOTE: GRILL SHOWN ON THIS PAGE IS FOR EITHER A SINGLE STAND ALONE UNIT OR THE BOTTOM UNIT OF A STACKED CONFIGURATION



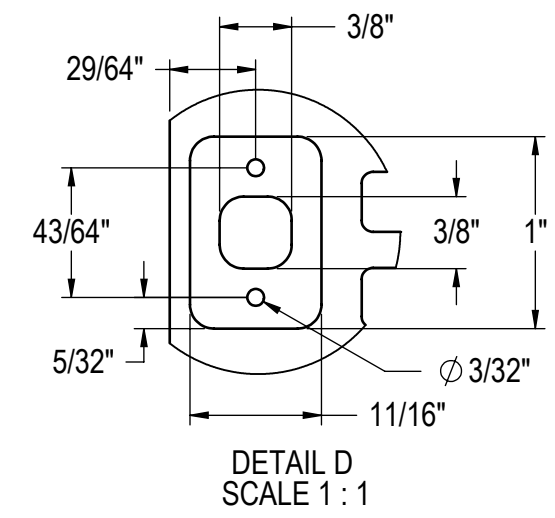
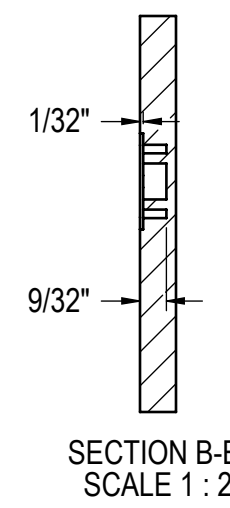
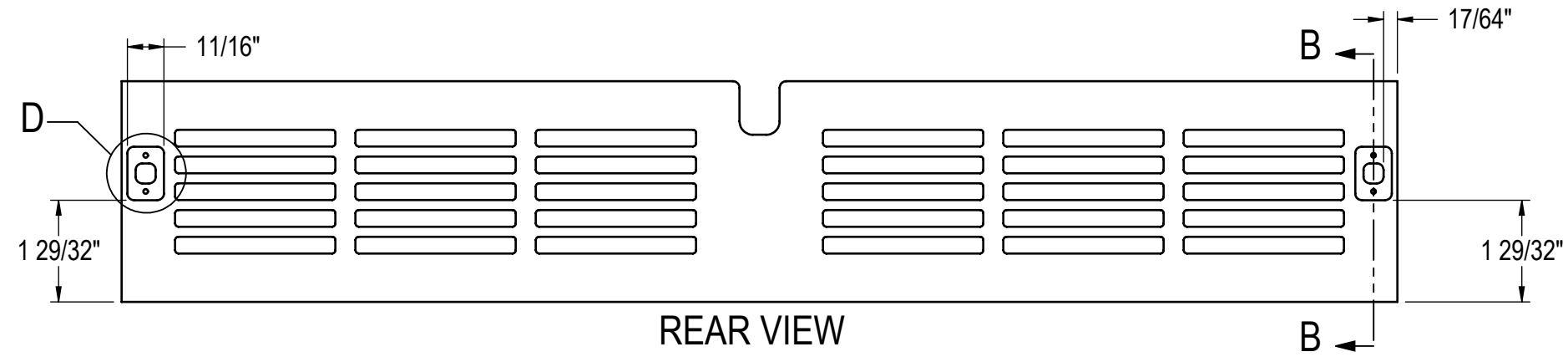
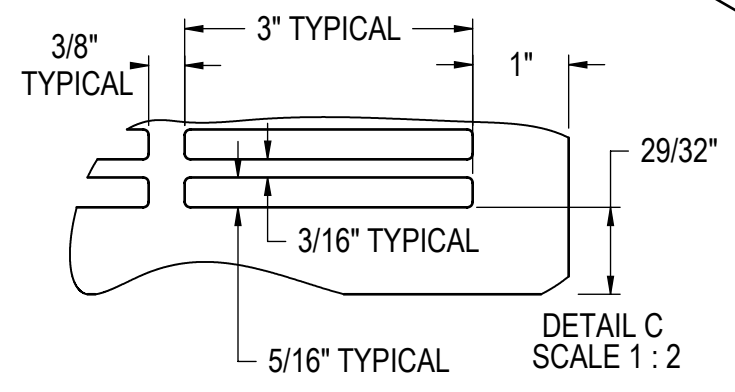
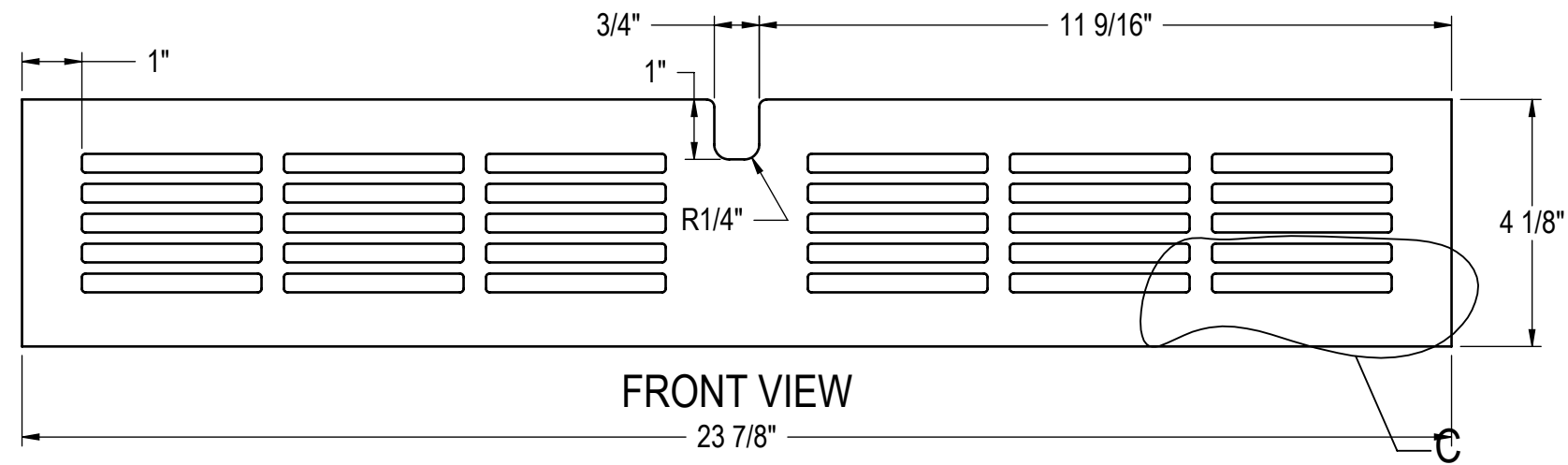
METAL CLIP REQUIRED FOR SNAP IN RETAINER THAT ASSEMBLES GRILL TO THE UNIT. THIS CLIP MUST BE SCREWED TO THE GRILL USING THE FEATURES SHOWN IN DETAIL VIEW "D"

NOTE: ALL INTERNAL RADII ARE 1/8IN UNLESS OTHERWISE SPECIFIED

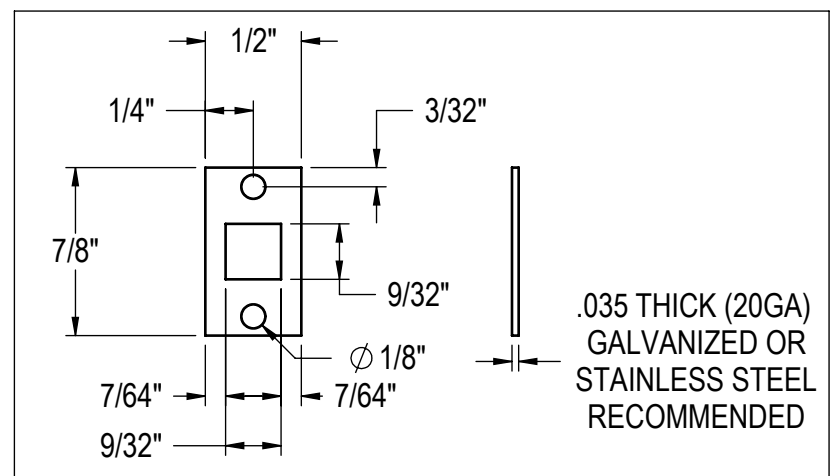
4/23/2008
REVISIONS

UNLESS OTHERWISE SPECIFIED:			SIGNATURES		DATE	Perlick Corporation Milwaukee, Wisconsin		
DIMENSIONS ARE IN INCHES			DESIGNED	NAH	4/23/2008	TITLE: GRILL, WOOD STAND ALONE		
TOLERANCES: X = .			DRAWN	NAH	4/23/2008	REFERENCE: PART NO.		
.XX = .			CHECKED		4/23/2008	WOOD GRILL, STACKING		
.XXX = .						PURCHASE REC.:		
ANGULAR: ±1.0°, FRACTIONS: ±1/16			MATERIAL:			DWG NO.		
BREAK SHARP EDGES - 015 X 45°			WOOD			WOOD GRILL		
RADIUS SHARP FILLETS - .015 TO .031			FINISH:			SCALE = 1:3		
			QTY.:			SHEET 1 OF 4		

THIS DOCUMENT / PUBLICATION / SOFTWARE / DRAWING CONTAINS PROPRIETARY INFORMATION WHICH IS THE PROPERTY OF THE PERLICK CORPORATION. IT MAY NOT BE REPRODUCED OR TRANSMITTED IN ANY FORM, ELECTRONIC OR MECHANICAL, INCLUDING PHOTOCOPYING, RECORDING, OR USED IN ANY INFORMATION STORAGE, TRANSMISSION, OR RETRIEVAL SYSTEM, WITHOUT WRITTEN PERMISSION FROM THE PERLICK CORPORATION. COPYRIGHT 2001 PERLICK CORPORATION. ALL RIGHTS RESERVED.



NOTE: GRILL SHOWN ON THIS PAGE IS FOR ONLY THE TOP UNIT OF A STACKED CONFIGURATION



METAL CLIP REQUIRED FOR SNAP IN RETAINER THAT ASSEMBLES GRILL TO THE UNIT. THIS CLIP MUST BE SCREWED TO THE GRILL USING THE FEATURES SHOWN IN DETAIL VIEW "D"

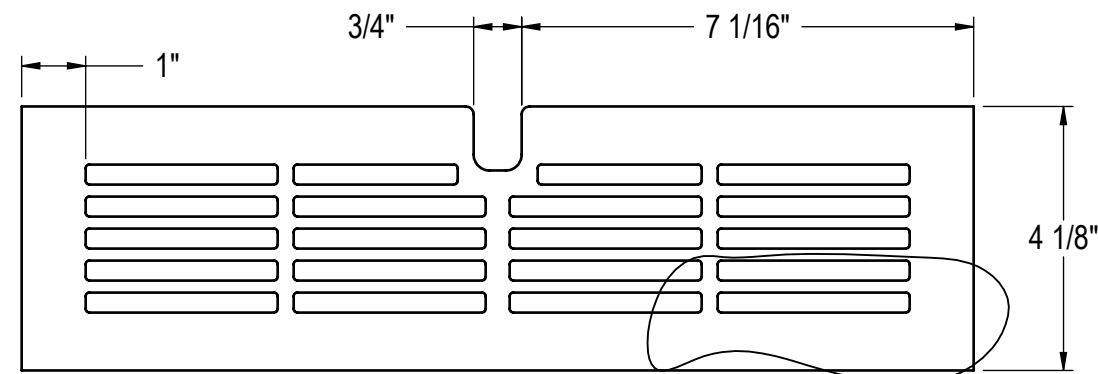
.035 THICK (20GA) GALVANIZED OR STAINLESS STEEL RECOMMENDED

NOTE: ALL INTERNAL RADII ARE 1/8IN UNLESS OTHERWISE SPECIFIED

4/23/2008
REVISIONS

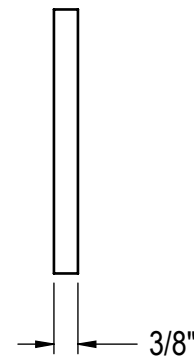
UNLESS OTHERWISE SPECIFIED:		SIGNATURES		DATE	Perlick Corporation Milwaukee, Wisconsin		
DIMENSIONS ARE IN INCHES		DESIGNED	NAH	4/23/2008	TITLE: GRILL, WOOD STACKING - UPPER		
TOLERANCES: .X = .		DRAWN	NAH	4/23/2008	REFERENCE: PART NO.	DWG NO. WOOD GRILL	
.XX = .		CHECKED		4/23/2008	WOOD GRILL, STACKING		
.XXX = .					PURCHASE REC.:	SCALE = 1:3	SHEET 2 OF 4
ANGULAR: ±1.0°, FRACTIONS: ±1/16							
BREAK SHARP EDGES - .015 X 45°							
RADIUS SHARP FILLETS - .015 TO .031							
MATERIAL: WOOD		QTY.:					
		FINISH:					

THIS DOCUMENT / PUBLICATION / SOFTWARE / DRAWING CONTAINS PROPRIETARY INFORMATION WHICH IS THE PROPERTY OF THE PERLICK CORPORATION. IT MAY NOT BE REPRODUCED OR TRANSMITTED IN ANY FORM, ELECTRONIC OR MECHANICAL, INCLUDING PHOTOCOPYING, RECORDING, OR USED IN ANY INFORMATION STORAGE, TRANSMISSION, OR RETRIEVAL SYSTEM, WITHOUT WRITTEN PERMISSION FROM THE PERLICK CORPORATION. COPYRIGHT 2001 PERLICK CORPORATION. ALL RIGHTS RESERVED.

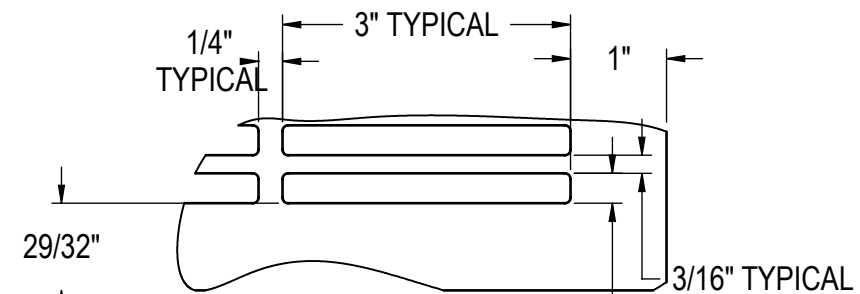


FRONT VIEW

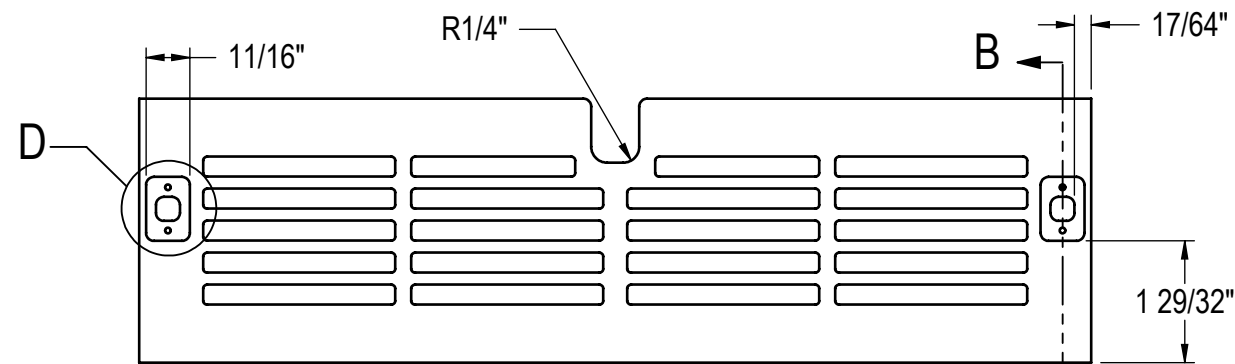
C



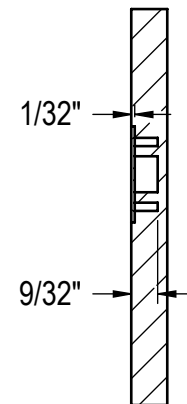
3/8"



DETAIL C
SCALE 1 : 2



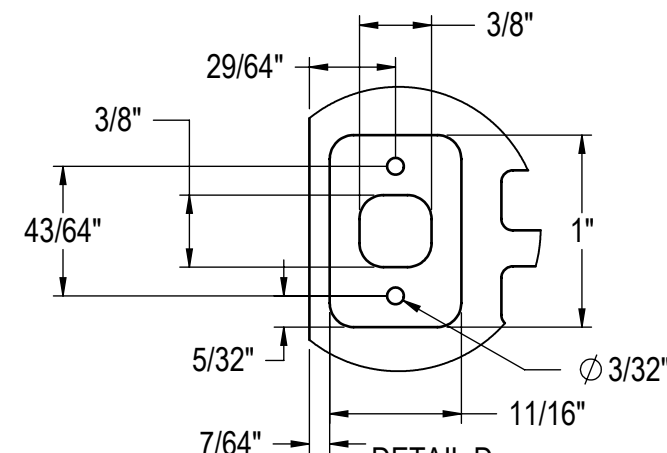
REAR VIEW



1/32"

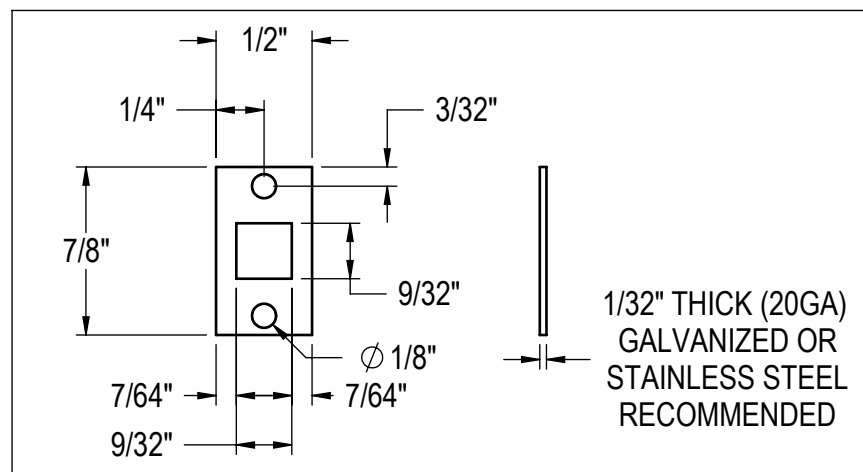
9/32"

SECTION B-B
SCALE 1 : 2



DETAIL D
SCALE 1 : 1

NOTE: ALL INTERNAL RADII ARE 1/8IN UNLESS OTHERWISE SPECIFIED



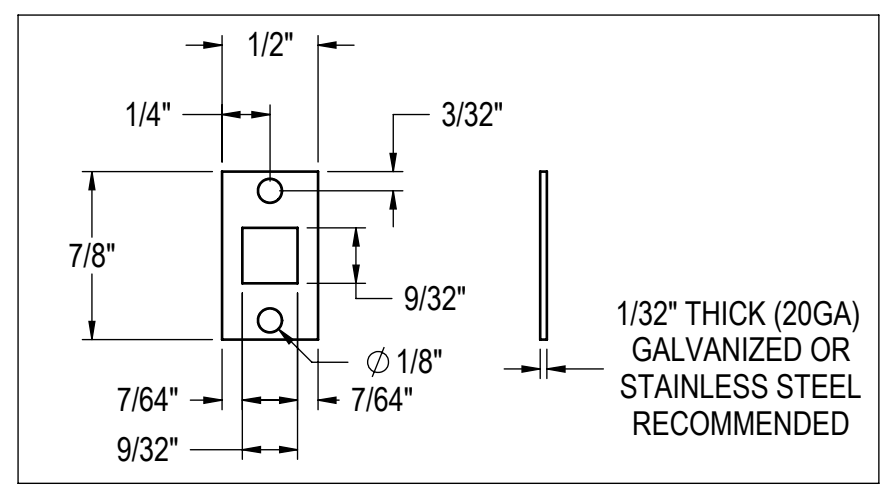
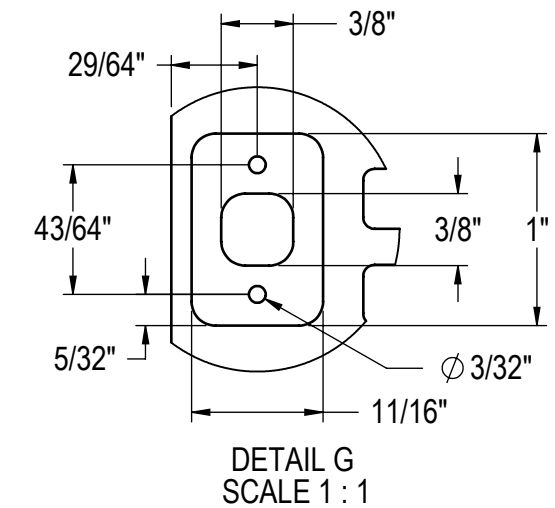
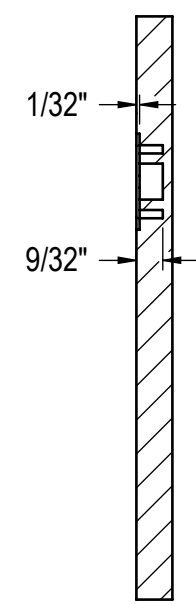
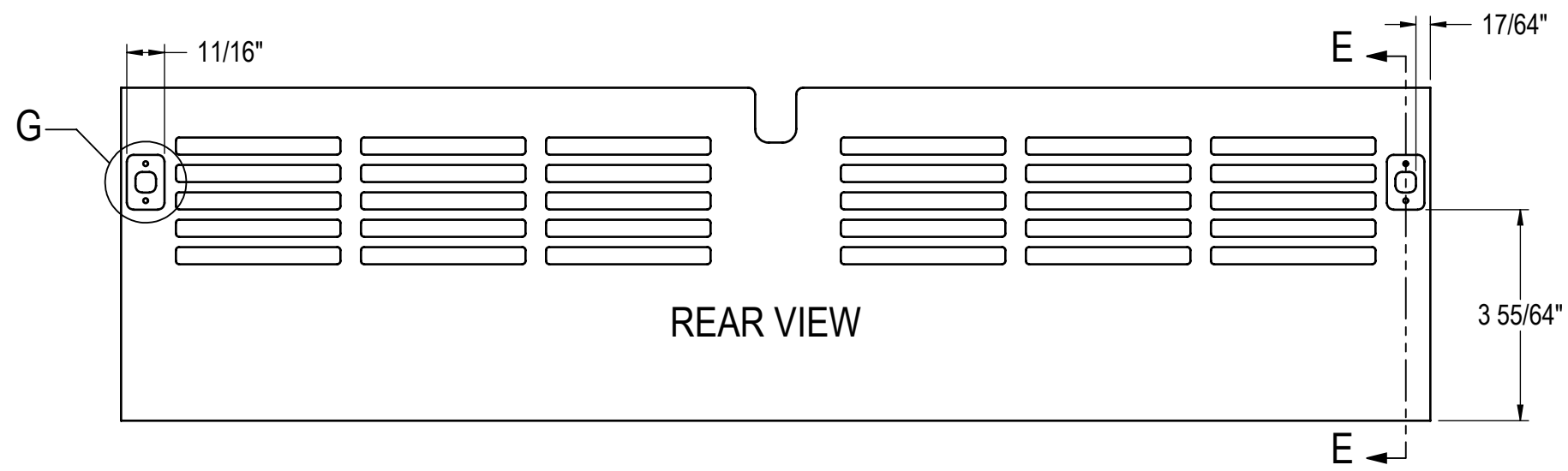
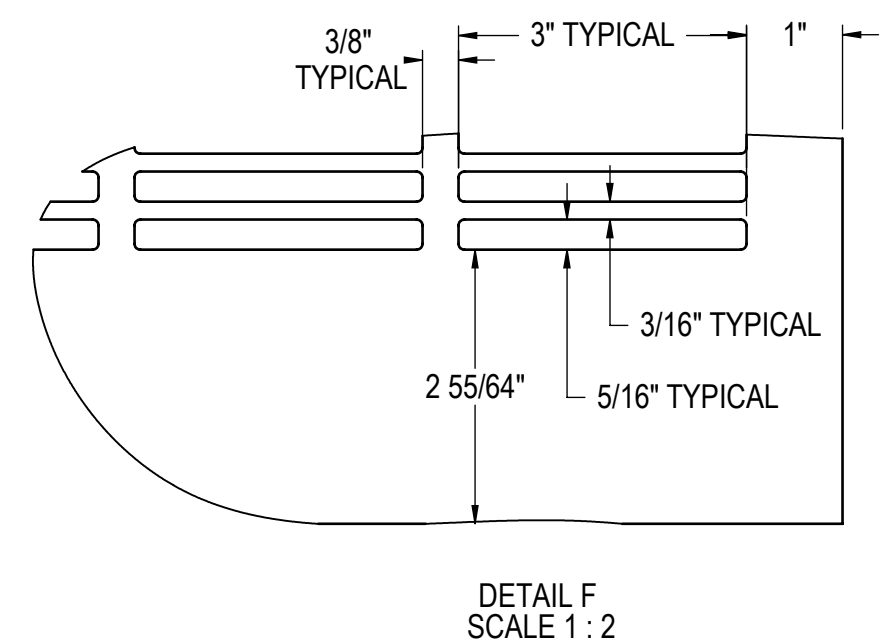
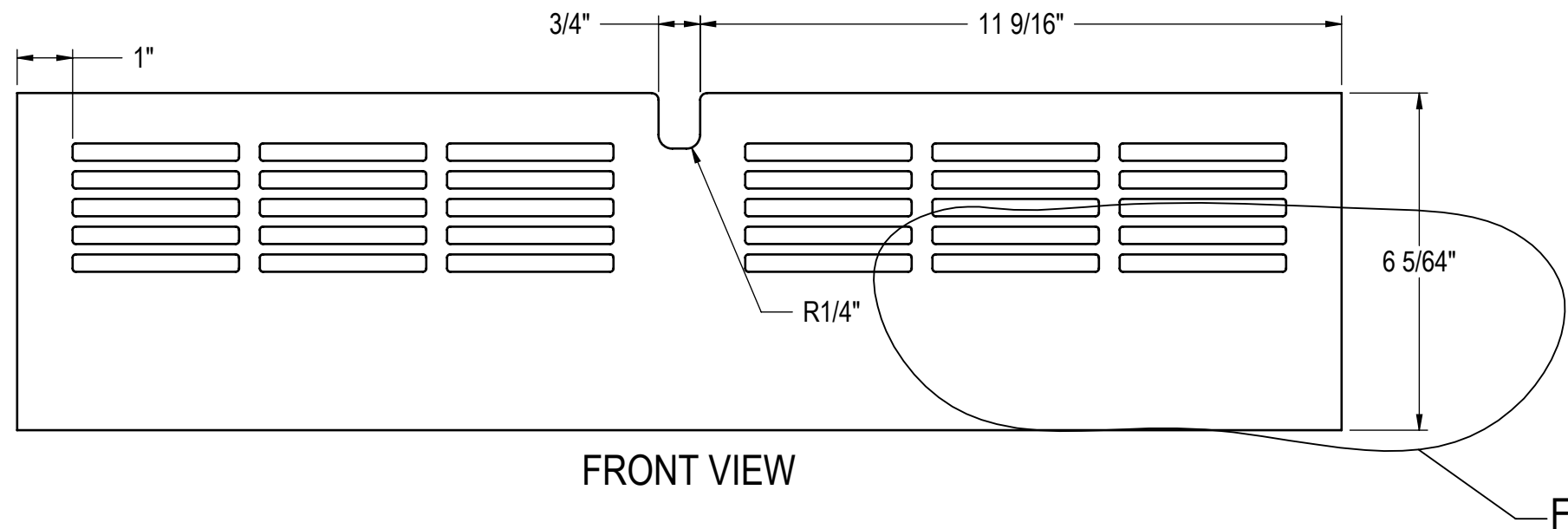
1/32" THICK (20GA)
GALVANIZED OR
STAINLESS STEEL
RECOMMENDED

METAL CLIP REQUIRED FOR SNAP IN RETAINER THAT
ASSEMBLES GRILL TO THE UNIT. THIS CLIP MUST BE
SCREWED TO THE GRILL USING THE FEATURES SHOWN
IN DETAIL VIEW "D"

4/23/2008
REVISIONS

UNLESS OTHERWISE SPECIFIED:		SIGNATURES	DATE	Perlick Corporation Milwaukee, Wisconsin	
DIMENSIONS ARE IN INCHES		DESIGNED	NAH	4/23/2008	TITLE: GRILL, WOOD 15IN
TOLERANCES:		DRAWN	NAH	4/23/2008	
.XX = .		CHECKED		4/23/2008	
.XXX = .		MATERIAL: WOOD		QTY.:	REFERENCE: PART NO. WOOD GRILL, 15IN
ANGULAR: ±1.0°, FRACTIONS: ±1/16		FINISH:			DWG NO. WOOD GRILL
BREAK SHARP EDGES - .015 X 45°					PURCHASE REC.:
RADIUS SHARP FILLETS - .015 TO .031					SCALE = 1:3
					SHEET 3 OF 4

THIS DOCUMENT / PUBLICATION / SOFTWARE / DRAWING CONTAINS PROPRIETARY INFORMATION WHICH IS THE PROPERTY OF THE PERLICK CORPORATION. IT MAY NOT BE REPRODUCED OR TRANSMITTED IN ANY FORM, ELECTRONIC OR MECHANICAL, INCLUDING PHOTOCOPYING, RECORDING, OR USED IN ANY INFORMATION STORAGE, TRANSMISSION, OR RETRIEVAL SYSTEM, WITHOUT WRITTEN PERMISSION FROM THE PERLICK CORPORATION. COPYRIGHT 2001 PERLICK CORPORATION. ALL RIGHTS RESERVED.



METAL CLIP REQUIRED FOR SNAP IN RETAINER THAT ASSEMBLES GRILL TO THE UNIT. THIS CLIP MUST BE SCREWED TO THE GRILL USING THE FEATURES SHOWN IN DETAIL VIEW "G"

1/32" THICK (20GA) GALVANIZED OR STAINLESS STEEL RECOMMENDED

NOTE: ALL INTERNAL RADII ARE 1/8IN UNLESS OTHERWISE SPECIFIED

4/23/2008
REVISIONS

UNLESS OTHERWISE SPECIFIED:		SIGNATURES		DATE	Perlick Corporation Milwaukee, Wisconsin		
DIMENSIONS ARE IN INCHES		DESIGNED	NAH	4/23/2008			
TOLERANCES:		DRAWN	NAH	4/23/2008			
.XX = .		CHECKED		4/23/2008			
.XXX = .		MATERIAL:		QTY.:	REFERENCE:		
ANGULAR: ±1.0°, FRACTIONS: ±1/16		WOOD		FINISH:	PART NO.	DWG NO.	
BREAK SHARP EDGES - .015 X 45°					WOOD GRILL, 6" TOE SPACE		WOOD GRILL
RADIUS SHARP FILLETS - .015 TO .031					PURCHASE REC.:	SCALE = 1:3	SHEET 4 OF 4

THIS DOCUMENT / PUBLICATION / SOFTWARE / DRAWING CONTAINS PROPRIETARY INFORMATION WHICH IS THE PROPERTY OF THE PERLICK CORPORATION. IT MAY NOT BE REPRODUCED OR TRANSMITTED IN ANY FORM, ELECTRONIC OR MECHANICAL, INCLUDING PHOTOCOPYING, RECORDING, OR USED IN ANY INFORMATION STORAGE, TRANSMISSION, OR RETRIEVAL SYSTEM, WITHOUT WRITTEN PERMISSION FROM THE PERLICK CORPORATION. COPYRIGHT 2001 PERLICK CORPORATION. ALL RIGHTS RESERVED.