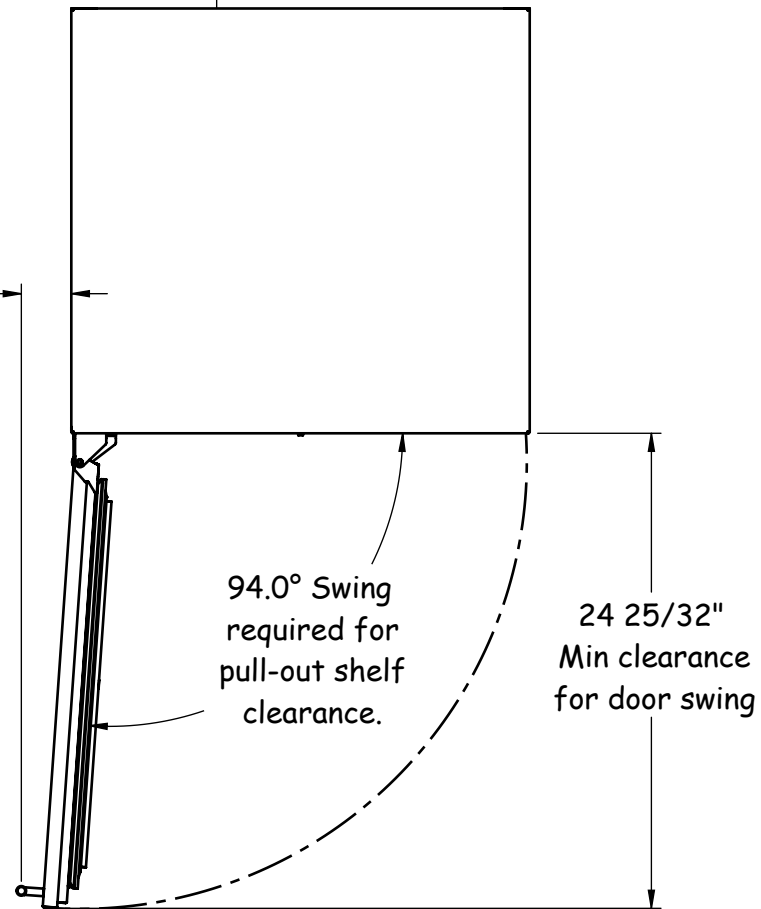


50" Area in which electrical outlet must be located

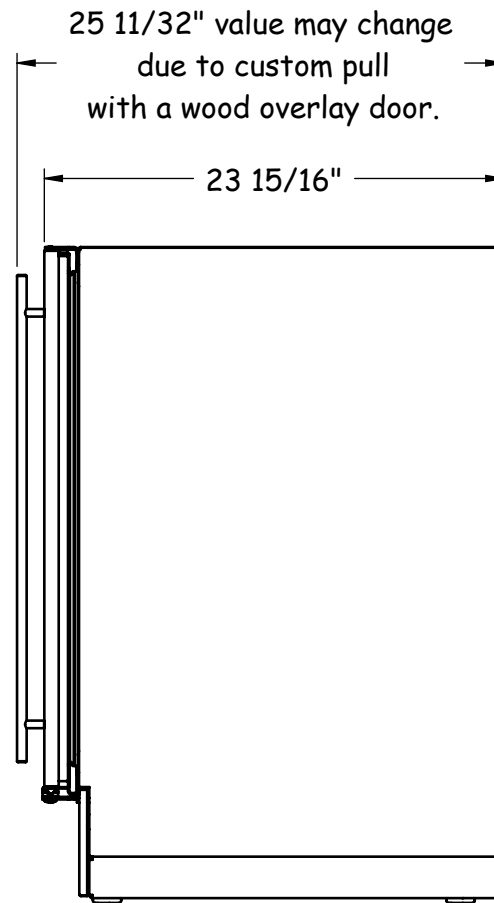
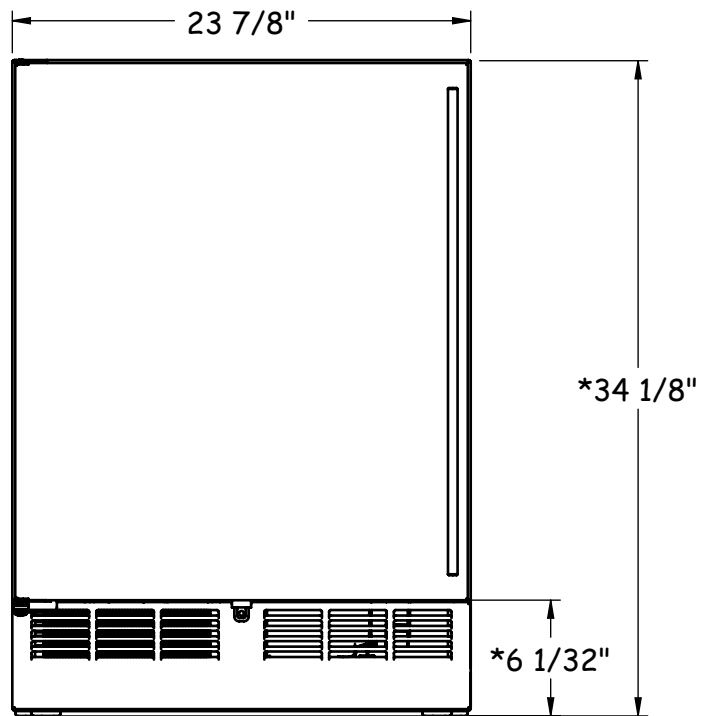
7 9/16"

Power cord 8-17/32" off floor.

2 19/32" Min. clearance from a corner to achieve 94° door swing.



* - Leg levelers can add 3/4" to these dimensions when fully extended.



6" Toe Space Kit Part No. 67164

(Shown mounted on 24" ADA Compliant Unit)

