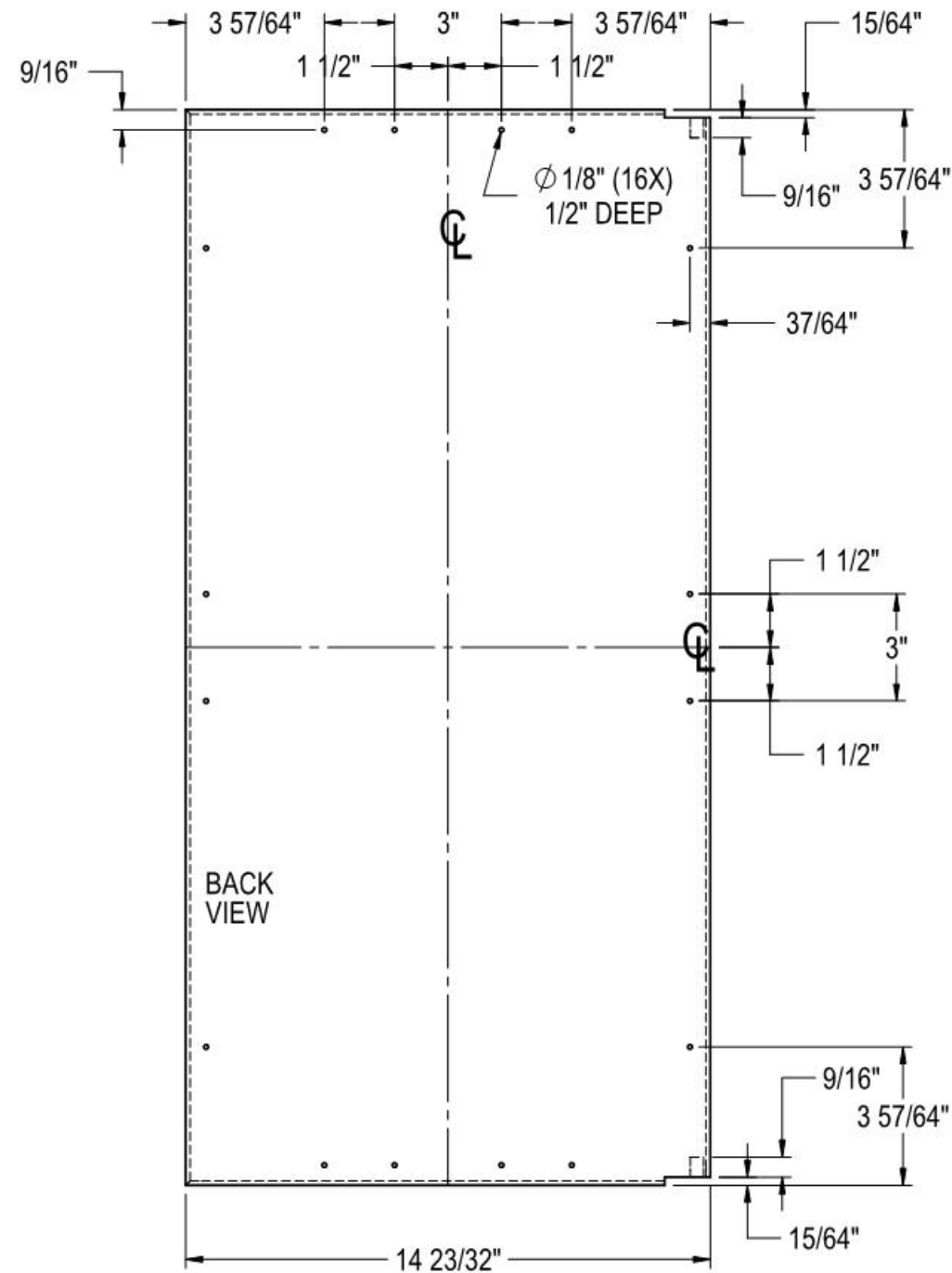
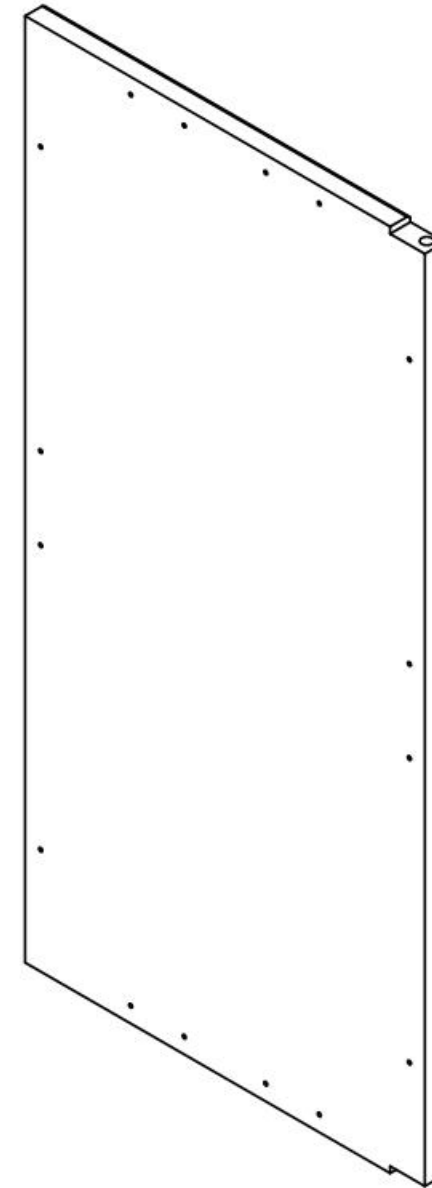


DETAIL L
SCALE 1 : 1



BACK
VIEW

30 3/16"

3/4"

NOTE: THESE PART NUMBERS FIT
DOORS OR DRAWERS ON HP & HC CABINETS
WITH SERIAL NUMBER 664985 OR GREATER.

| REVISIONS | |
|-----------|--|
| | |
| | |

| | | | | |
|--|--|----------------------------------|--|---|
| <small>UNLESS OTHERWISE SPECIFIED: DIMENSIONS ARE IN INCHES TOLERANCES: X = ±.05 XX = ±.01 XXX = ±.005 ANGULAR: ±.05, FRACTIONS: ± 1/64 BREAK SHARP EDGES - .015 X 45° RADIUS SHARP FILLETS - .015 TO .031</small> | SIGNATURES DESIGNED KS DRAWN DAS CHECKED | DATE 10/8/09 1/4/10 | Perlick Corporation Milwaukee, Wisconsin | |
| | MATERIAL: WOOD | | QTY.: FINISH: | TITLE: SOLID WOOD OVERLAY 15" HP & HC DOOR |
| REFERENCE: PART NO. 68134-4 PURCHASE REC.: | | | DWG NO. 68134 | SCALE = 1:5 SHEET 4 OF 10 |

THIS DOCUMENT / PUBLICATION / SOFTWARE / DRAWING CONTAINS PROPRIETARY INFORMATION WHICH IS THE PROPERTY OF THE PERLICK CORPORATION. IT MAY NOT BE REPRODUCED OR TRANSMITTED IN ANY FORM, ELECTRONIC OR MECHANICAL, INCLUDING PHOTOCOPYING, RECORDING, OR USED IN ANY INFORMATION STORAGE, TRANSMISSION, OR RETRIEVAL SYSTEM, WITHOUT WRITTEN PERMISSION FROM THE PERLICK CORPORATION. COPYRIGHT 2001 PERLICK CORPORATION. ALL RIGHTS RESERVED.