

D

D

C

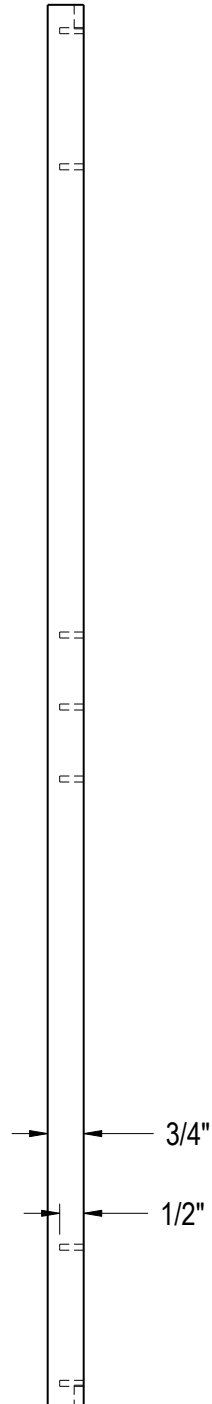
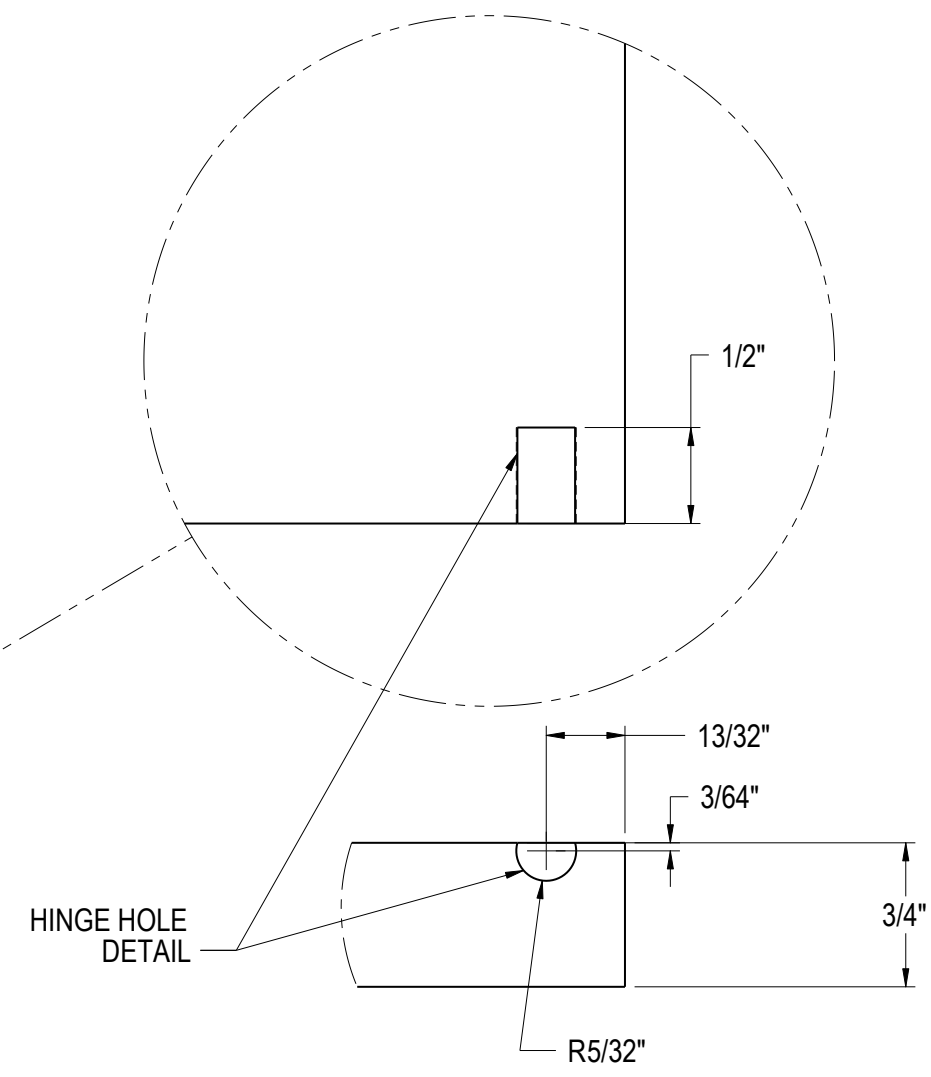
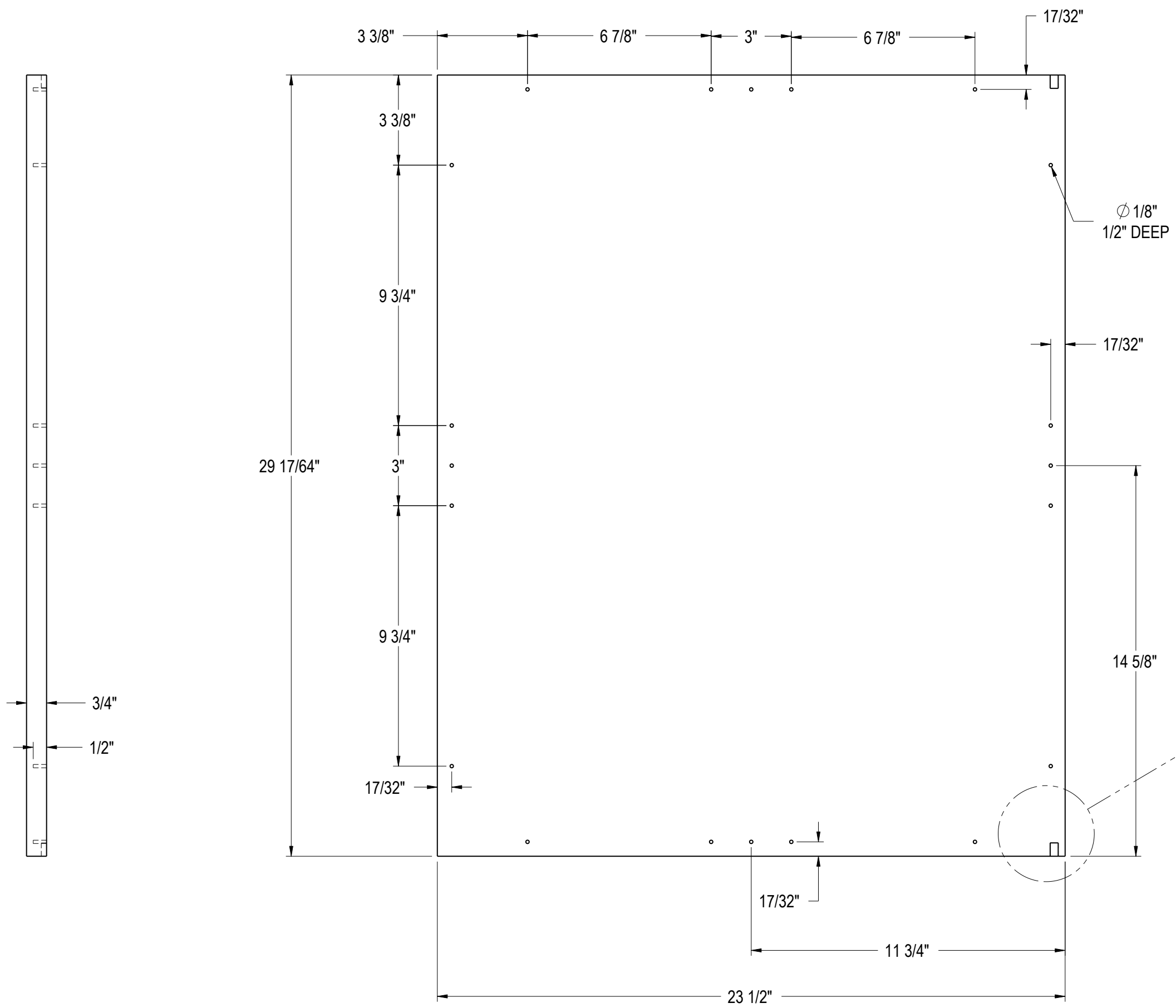
C

B

B

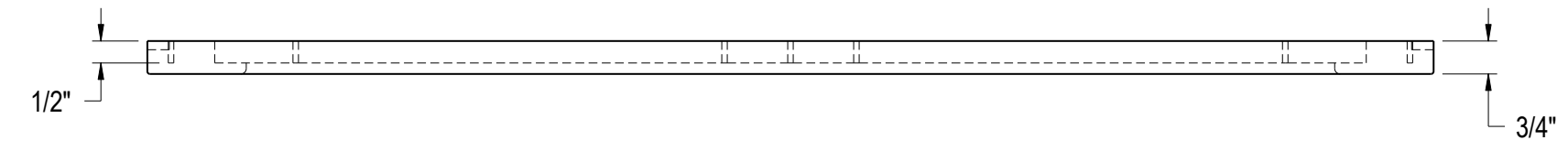
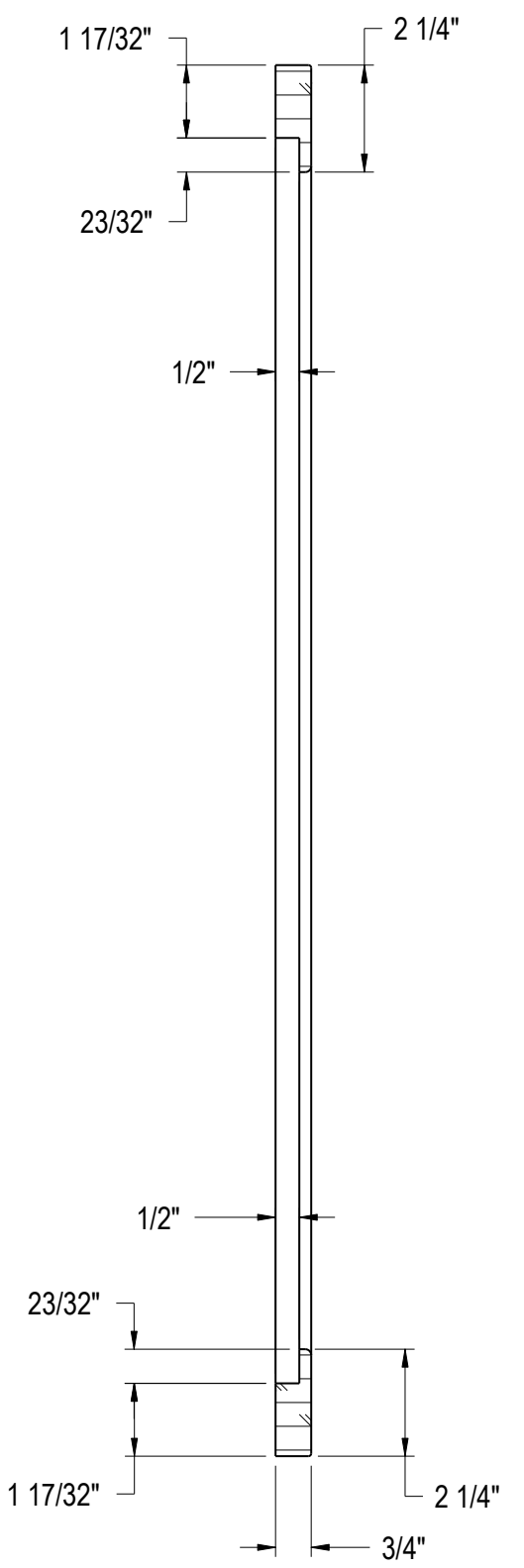
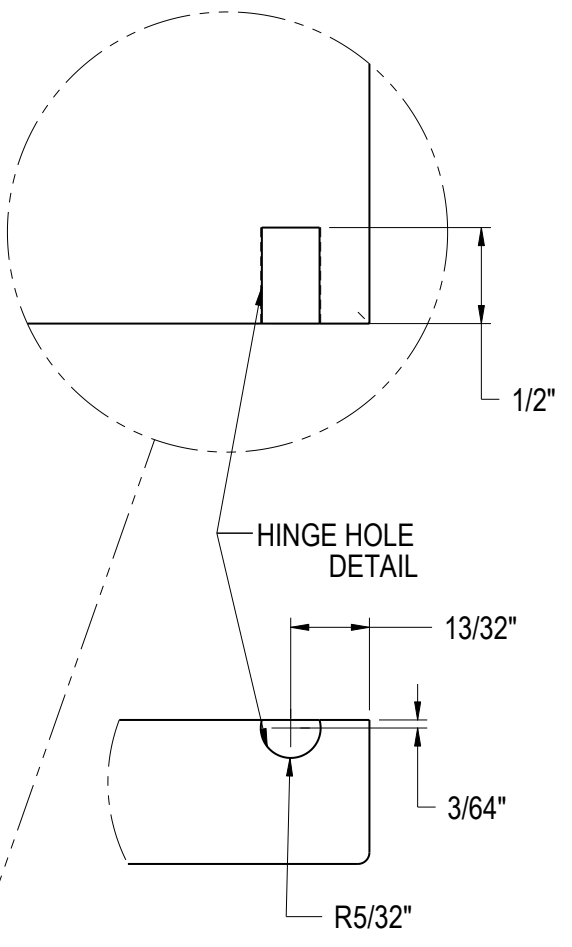
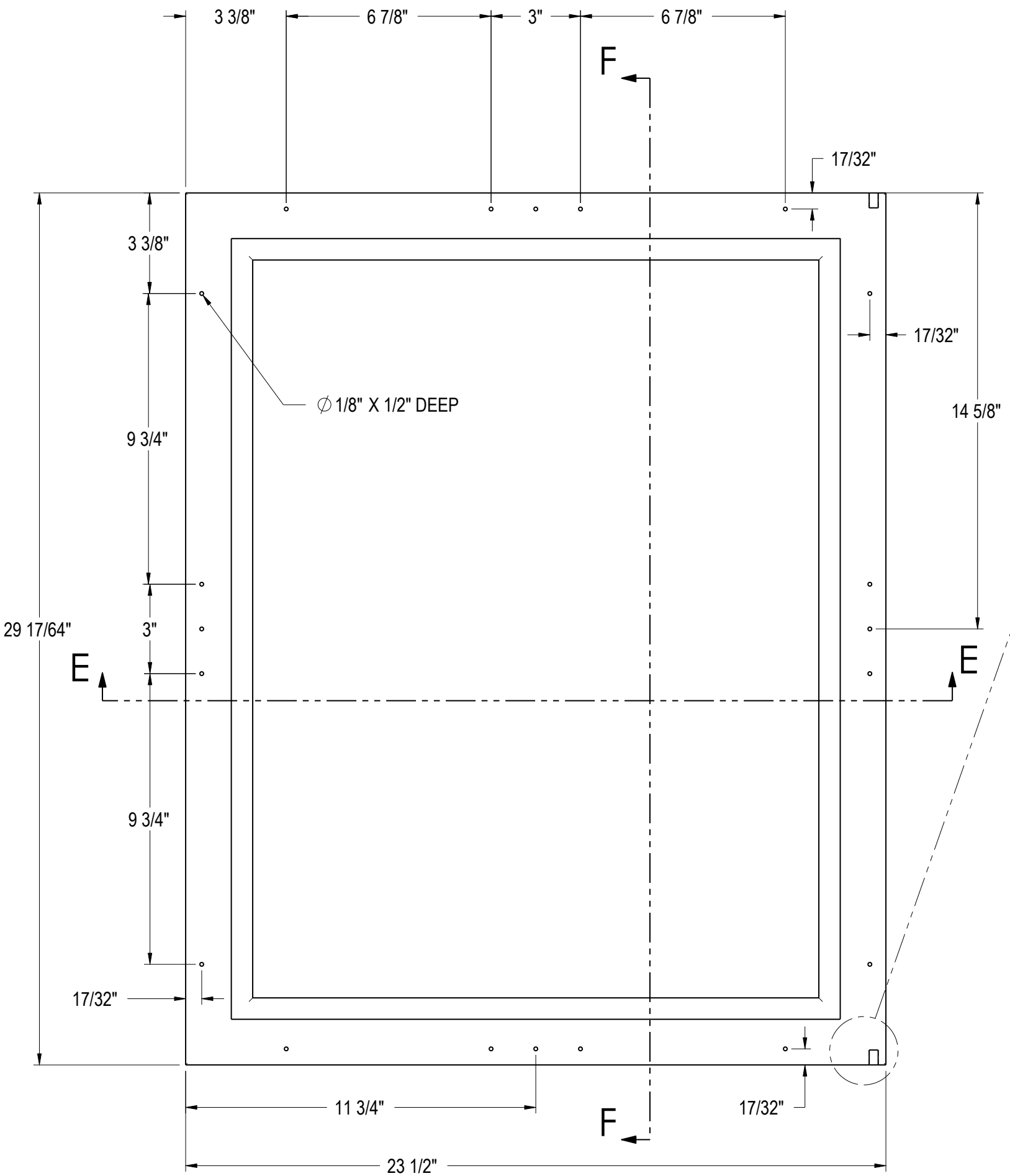
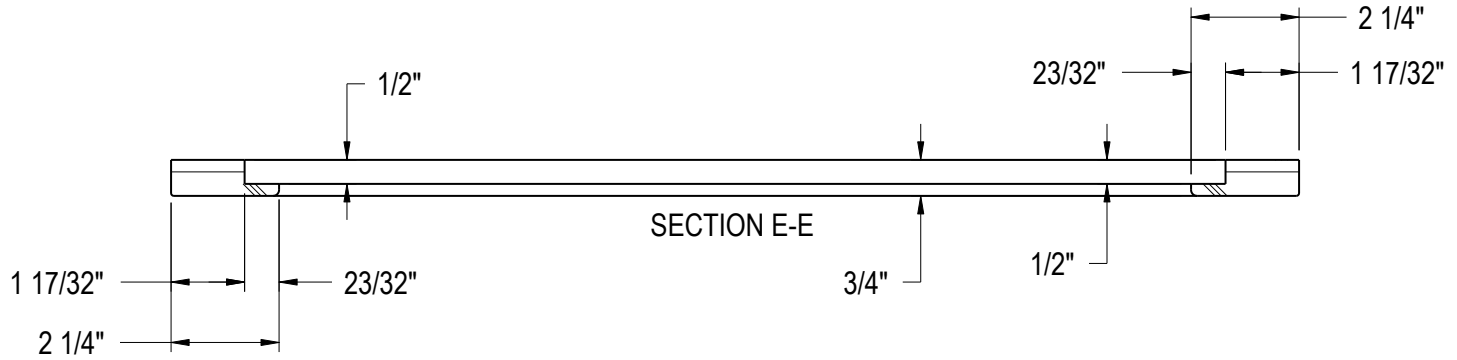
A

A



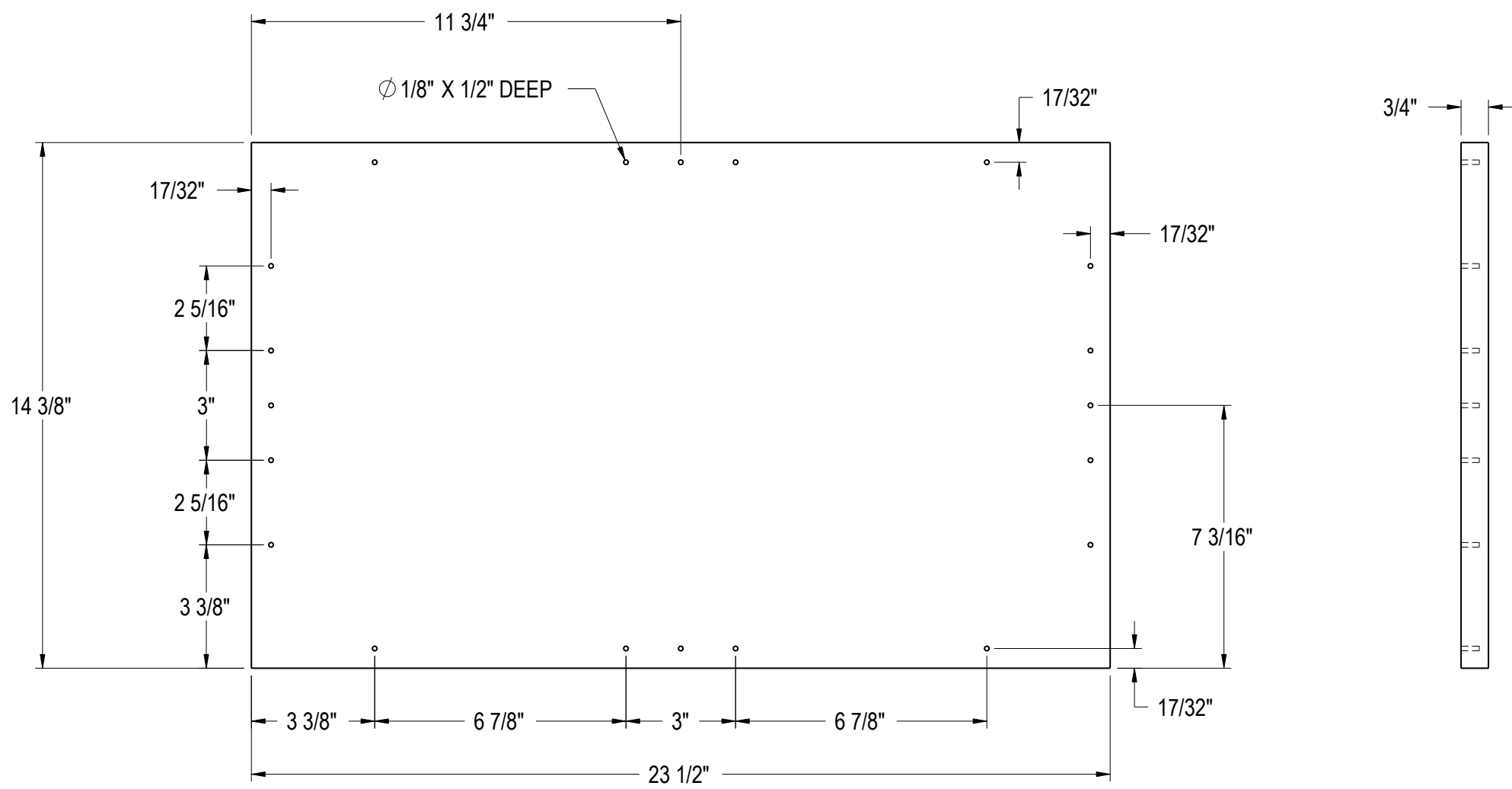
5/19/2004	
REVISIONS	

UNLESS OTHERWISE SPECIFIED: DIMENSIONS ARE IN INCHES TOLERANCES: X = . XX = . XXX = . ANGULAR: ±1.0°, FRACTIONS: ±1/16 BREAK SHARP EDGES - 015 X 45° RADIUS SHARPP FILLETS - 015 TO .031		SIGNATURES	DATE	Perlick Corporation Milwaukee, Wisconsin TITLE: WOOD OVERLAY TEMPLATE, SOLID DOOR
DESIGNED		DWW	5/19/2004	
DRAWN			5/19/2004	
CHECKED			5/19/2004	REFERENCE:
MATERIAL:		QTY.:		PART NO.
FINISH:				DWG NO.
				PURCHASE REC.: YES SCALE = 1:4 SHEET 1 OF 3



5/19/2004
REVISIONS

UNLESS OTHERWISE SPECIFIED: DIMENSIONS ARE IN INCHES TOLERANCES: XX = . XXX = . ANGULAR: ±1.0°, FRACTIONS: ±1/16 BREAK SHARP EDGES - 015 X 45° RADIUS SHARP FILLETS - 015 TO .031	SIGNATURES	DATE	Perlick Corporation Milwaukee, Wisconsin TITLE: WOOD OVERLAY TEMPLATE, GLASS DOOR	
	DESIGNED DWV	5/19/2004		
	DRAWN	5/19/2004		
	CHECKED	5/19/2004		
MATERIAL:	QTY.:	FINISH:	REFERENCE:	
			PART NO.	DWG NO.
PURCHASE REC.: YES		SCALE = 1:4	SHEET 2 OF 3	



5/19/2004	
REVISIONS	

UNLESS OTHERWISE SPECIFIED: DIMENSIONS ARE IN INCHES TOLERANCES: X = . XX = . XXX = . ANGULAR: ±1.0°, FRACTIONS: ±1/16 BREAK SHARP EDGES - 015 X 45° RADIUS SHARPP FILLETS - 015 TO .031		SIGNATURES	DATE	Perlick Corporation Milwaukee, Wisconsin TITLE: WOOD OVERLAY TEMPLATE, DRAWER	
DESIGNED		DWW	5/19/2004		
DRAWN			5/19/2004		
CHECKED			5/19/2004	REFERENCE:	
MATERIAL:		QTY.:		PART NO.	DWG NO.
FINISH:				PURCHASE REC.:	SCALE = 1:4
SHEET 3 OF 3					