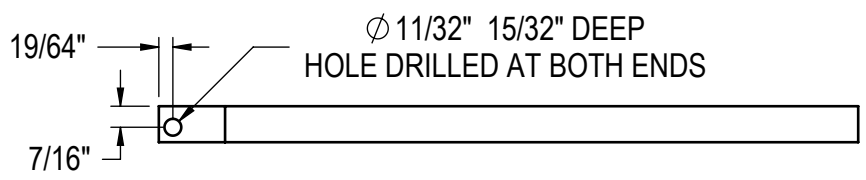
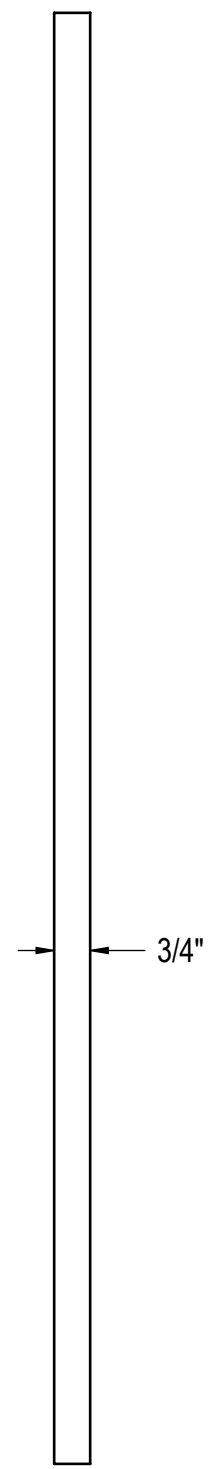
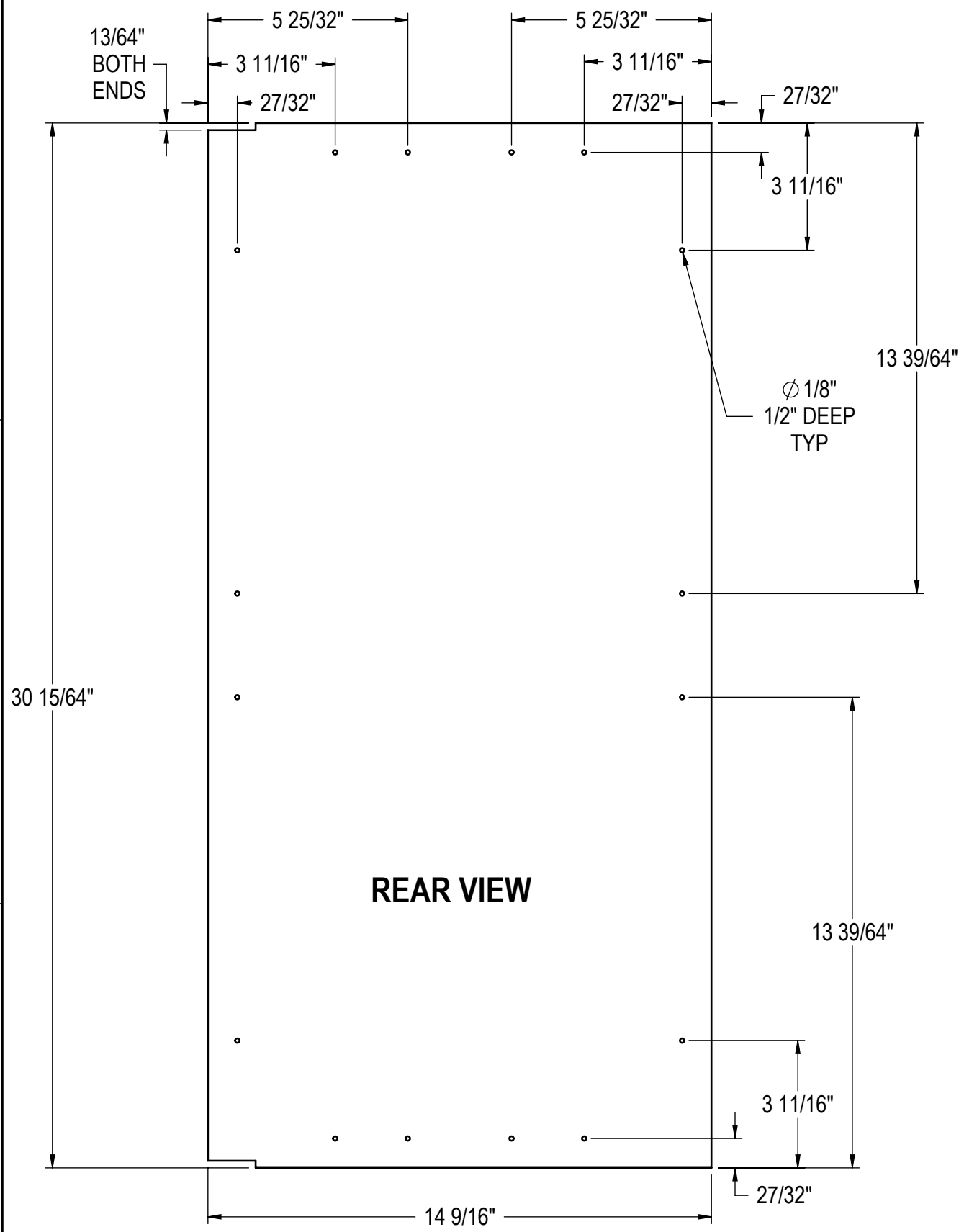


RE-DIMMED HOLES, ADD SEPERATE SHEET FOR LOCKING

REVISIONS		
3	4/18/2008	NAH

<small>UNLESS OTHERWISE SPECIFIED: DIMENSIONS ARE IN INCHES TOLERANCES: .X = .XX = .XXX = ANGULAR: ±1.0°, FRACTIONS: ±1/16 BREAK SHARP EDGES - 0.15 X 45°. RADIUS SHARP FILLETS - .015 TO .031</small>	SIGNATURES	DATE	Perlick Corporation Milwaukee, Wisconsin TITLE: WOOD OVERLAY PANEL DRAWER 15	
	DESIGNED NAH	2/5/2007		
	DRAWN NAH	2/5/2007		
	CHECKED	2/5/2007	REFERENCE: PART NO. _____ DWG NO. WOOD DRAWER PANEL 15	
MATERIAL: WOOD	QTY.:		PURCHASE REC.: _____ SCALE = 1:4 SHEET 1 OF 5	
	FINISH:			

THIS DOCUMENT / PUBLICATION / SOFTWARE / DRAWING CONTAINS PROPRIETARY INFORMATION WHICH IS THE PROPERTY OF THE PERLICK CORPORATION. IT MAY NOT BE REPRODUCED OR TRANSMITTED IN ANY FORM, ELECTRONIC OR MECHANICAL, INCLUDING PHOTOCOPYING, RECORDING, OR USED IN ANY INFORMATION STORAGE, TRANSMISSION, OR RETRIEVAL SYSTEM, WITHOUT WRITTEN PERMISSION FROM THE PERLICK CORPORATION. COPYRIGHT 2001 PERLICK CORPORATION. ALL RIGHTS RESERVED.

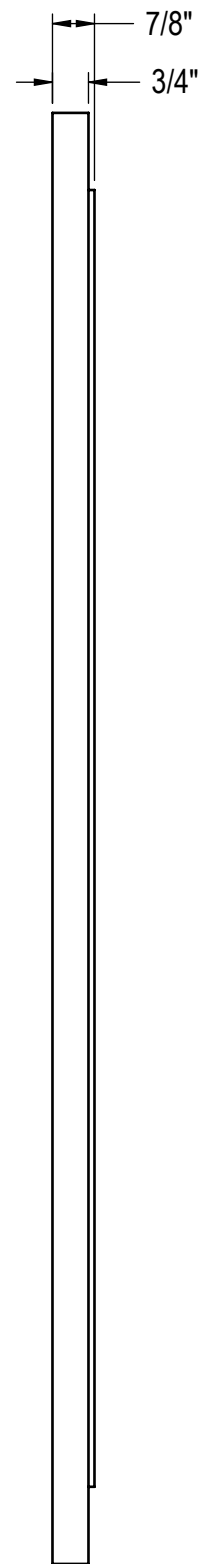
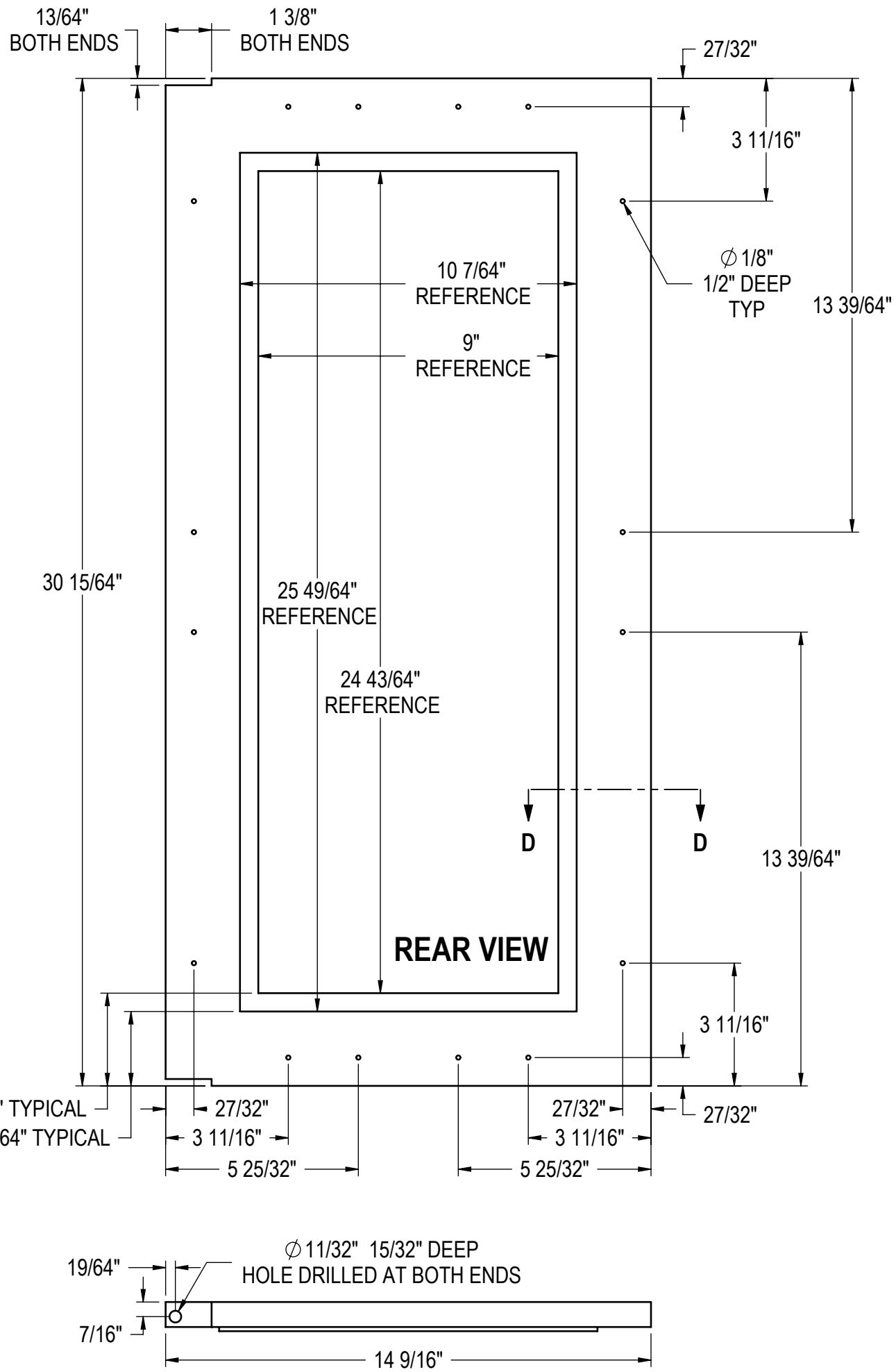


RE-DIMMED HOLES, ADD SEPERATE SHEET FOR LOCKING

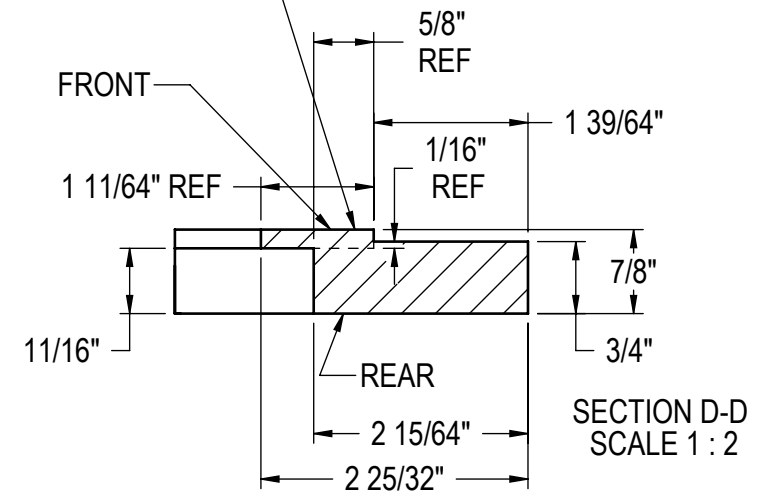
3	4/18/2008	NAH
REVISIONS		

<small>UNLESS OTHERWISE SPECIFIED: DIMENSIONS ARE IN INCHES TOLERANCES: .XX = .XXX = ANGULAR: ±1.0°, FRACTIONS: ±1/16 BREAK SHARP EDGES - 015 X 45°. RADIUS SHARP FILLETS - .015 TO .031</small>	SIGNATURES	DATE	Perlick Corporation Milwaukee, Wisconsin TITLE: WOOD OVERLAY PANEL SOLID 15IN	
	DESIGNED NAH	2/5/2007		
	DRAWN NAH	2/5/2007		
	CHECKED	2/5/2007	REFERENCE: PART NO. _____ DWG NO. WOOD DOOR PANEL 15	
MATERIAL: WOOD	QTY.:	FINISH:	PURCHASE REC.: _____ SCALE = 1:4 SHEET 4 OF 5	

THIS DOCUMENT / PUBLICATION / SOFTWARE / DRAWING CONTAINS PROPRIETARY INFORMATION WHICH IS THE PROPERTY OF THE PERLICK CORPORATION. IT MAY NOT BE REPRODUCED OR TRANSMITTED IN ANY FORM, ELECTRONIC OR MECHANICAL, INCLUDING PHOTOCOPYING, RECORDING, OR USED IN ANY INFORMATION STORAGE, TRANSMISSION, OR RETRIEVAL SYSTEM, WITHOUT WRITTEN PERMISSION FROM THE PERLICK CORPORATION. COPYRIGHT 2001 PERLICK CORPORATION. ALL RIGHTS RESERVED.



THIS OUTER FRAME CAN ALSO BE ACCOMPLISHED BY MILLING A 1/16in SEAT AROUND THE OPENING AND APPLYING A SEPERATE 1/8in WOOD STRIP TO THE OUTSIDE OF THE DOOR,



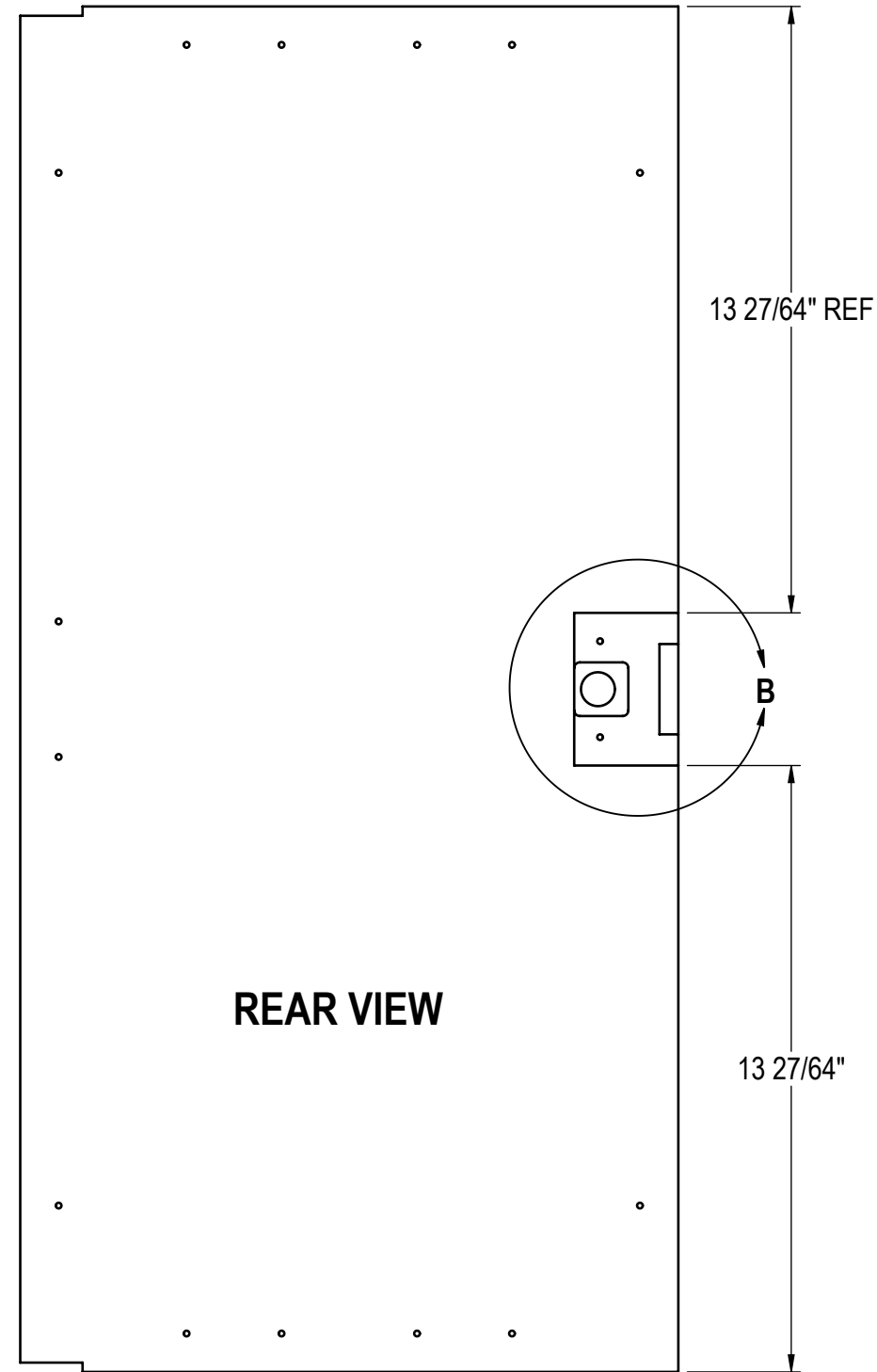
RE-DIMMED HOLES, ADD SEPERATE SHEET FOR LOCKING

3	4/18/2008	NAH
REVISIONS		

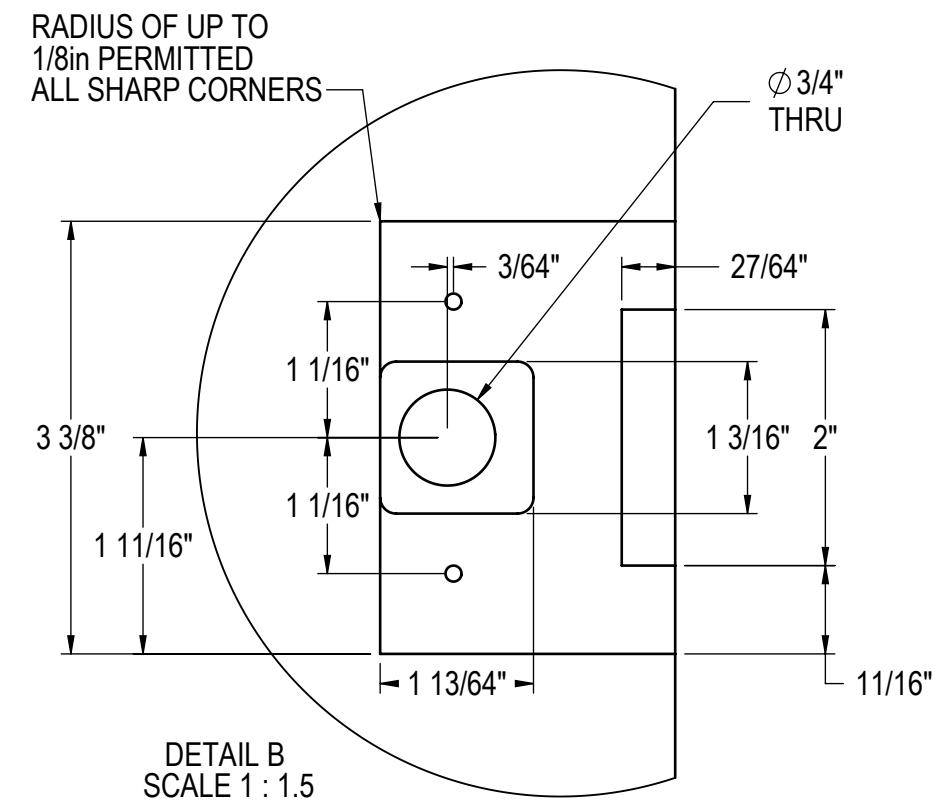
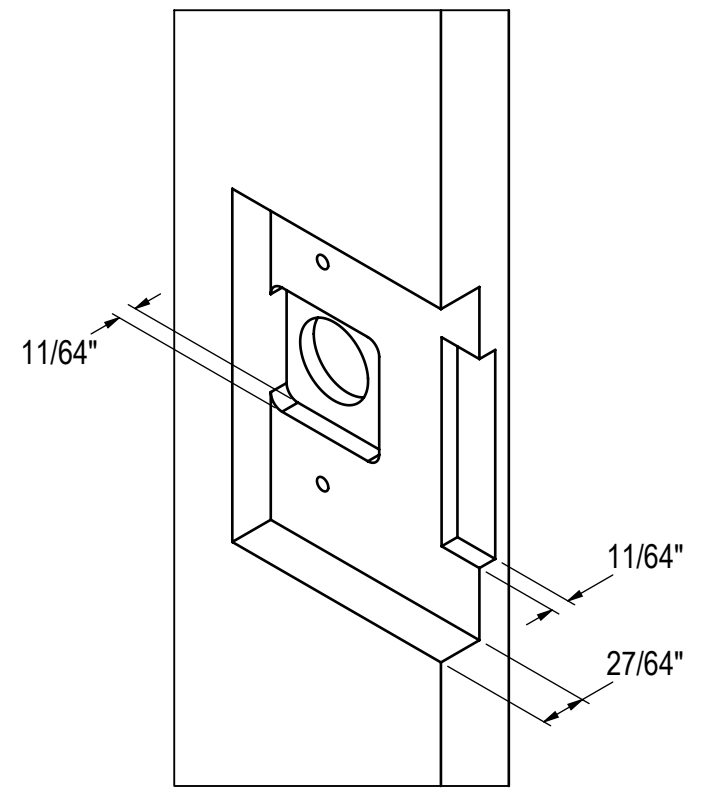
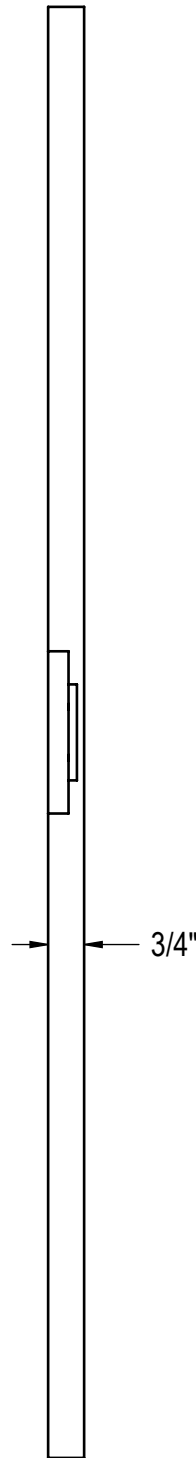
UNLESS OTHERWISE SPECIFIED: DIMENSIONS ARE IN INCHES TOLERANCES: .X = .XX = .XXX = ANGULAR: ±1.0°, FRACTIONS: ±1/16 BREAK SHARP EDGES - 0.15 X 45°. RADIUS SHARP FILLETS - .015 TO .031	SIGNATURES	DATE
	DESIGNED NAH	2/6/2007
	DRAWN NAH	2/6/2007
	CHECKED	2/6/2007
MATERIAL: WOOD	QTY.:	
	FINISH:	

Perlick Corporation Milwaukee, Wisconsin		
TITLE: WOOD OVERLAY GLASS PANEL 15in		
REFERENCE:	DWG NO.	
PART NO.	WOOD GLASS PANEL	
PURCHASE REC.:	SCALE =	SHEET 2 OF 3
	1:4	

THIS DOCUMENT / PUBLICATION / SOFTWARE / DRAWING CONTAINS PROPRIETARY INFORMATION WHICH IS THE PROPERTY OF THE PERLICK CORPORATION. IT MAY NOT BE REPRODUCED OR TRANSMITTED IN ANY FORM, ELECTRONIC OR MECHANICAL, INCLUDING PHOTOCOPYING, RECORDING, OR USED IN ANY INFORMATION STORAGE, TRANSMISSION, OR RETRIEVAL SYSTEM, WITHOUT WRITTEN PERMISSION FROM THE PERLICK CORPORATION. COPYRIGHT 2001 PERLICK CORPORATION. ALL RIGHTS RESERVED.



NOTE: LOCKING FEATURES SHOWN ARE COMMON TO BOTH THE 15IN AND 24IN DOOR PANELS

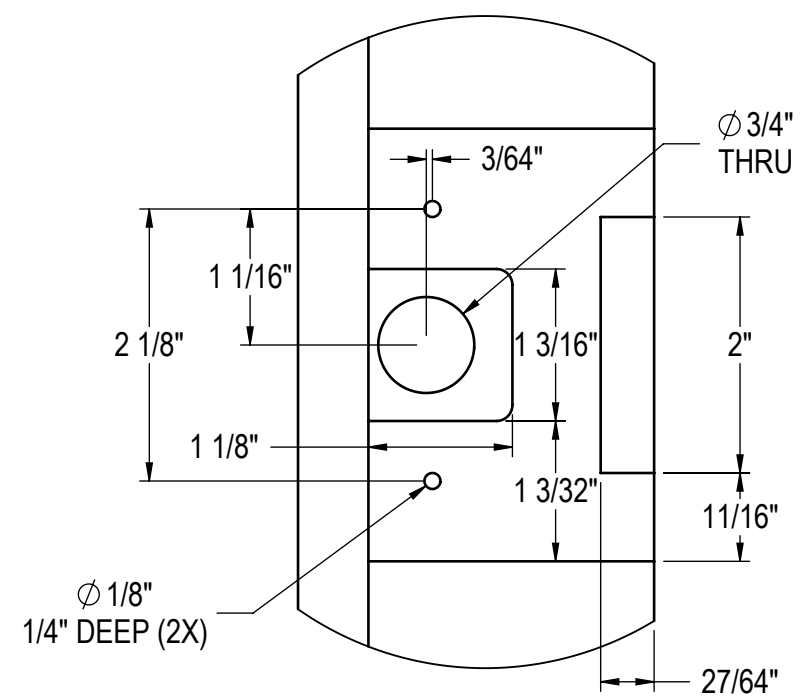
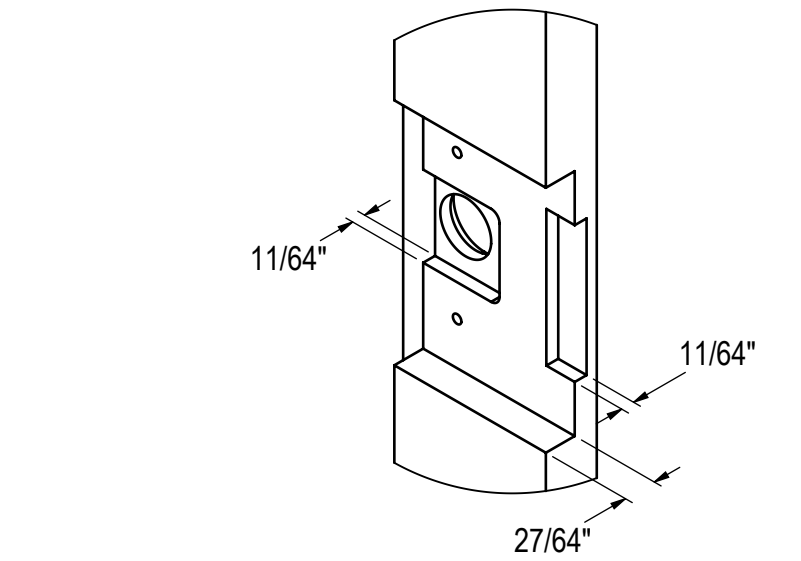
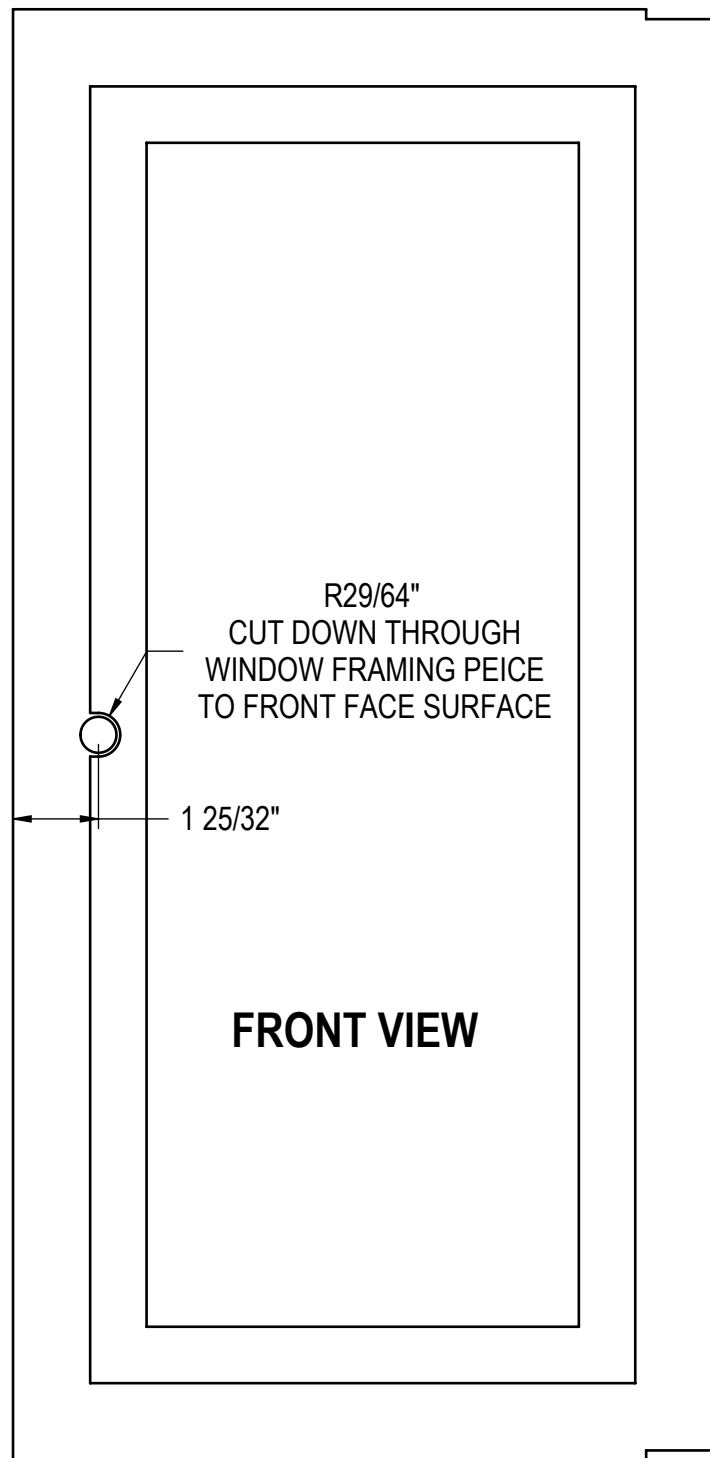
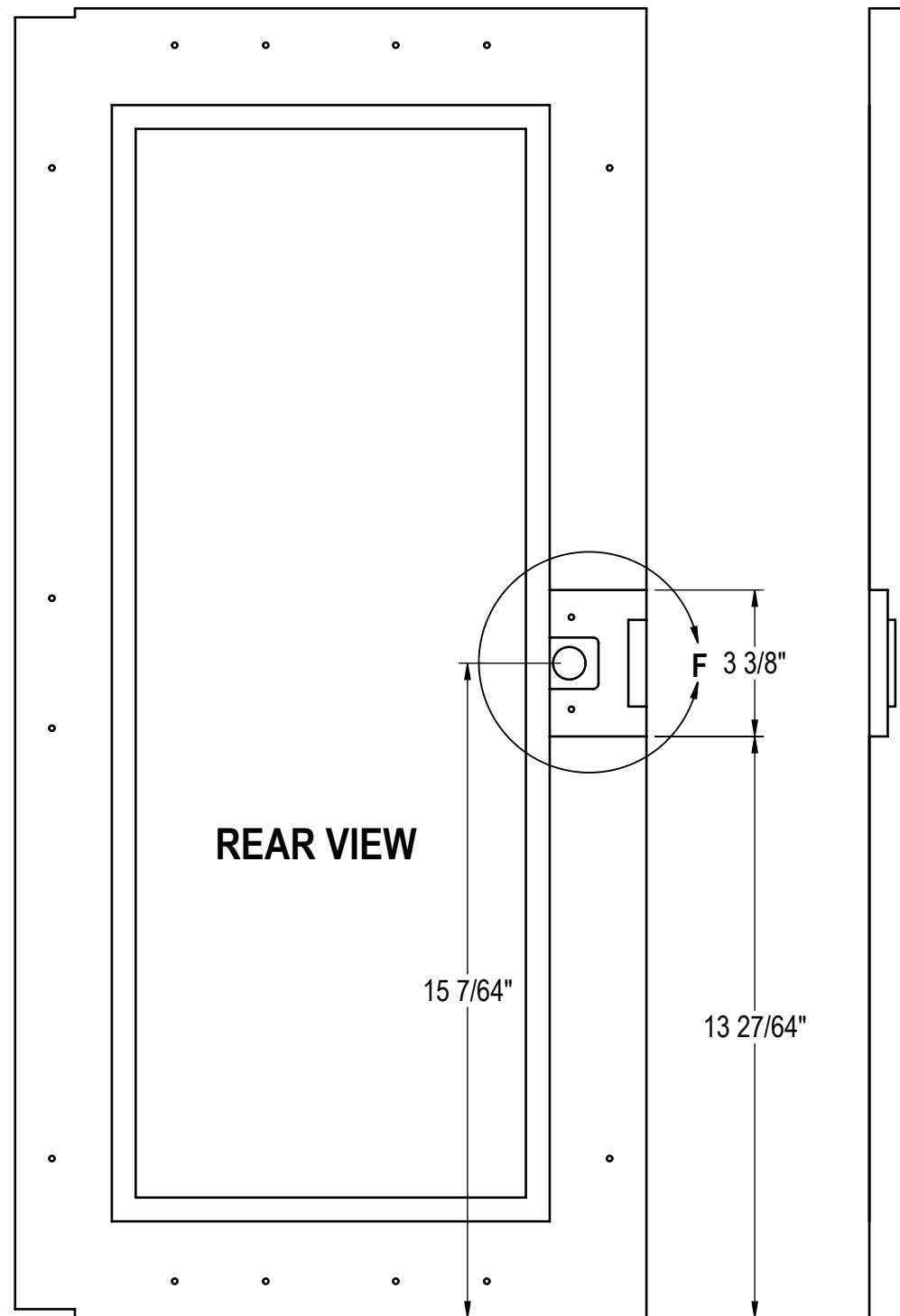


RE-DIMMED HOLES, ADD SEPERATE SHEET FOR LOCKING

3	4/18/2008	NAH
REVISIONS		

UNLESS OTHERWISE SPECIFIED: DIMENSIONS ARE IN INCHES TOLERANCES: .X = .XX = .XXX = ANGULAR: ±1.0°, FRACTIONS: ±1/16 BREAK SHARP EDGES - .015 X 45° RADIUS SHARP FILLETS - .015 TO .031		<table border="1"> <tr> <th>SIGNATURES</th> <th>DATE</th> </tr> <tr> <td>DESIGNED NAH</td> <td>2/5/2007</td> </tr> <tr> <td>DRAWN NAH</td> <td>2/5/2007</td> </tr> <tr> <td>CHECKED</td> <td>2/5/2007</td> </tr> </table>		SIGNATURES	DATE	DESIGNED NAH	2/5/2007	DRAWN NAH	2/5/2007	CHECKED	2/5/2007	<p style="text-align: center;">Perlick Corporation Milwaukee, Wisconsin</p>	
SIGNATURES	DATE												
DESIGNED NAH	2/5/2007												
DRAWN NAH	2/5/2007												
CHECKED	2/5/2007												
MATERIAL: WOOD		QTY.:		TITLE: WOOD OVERLAY PANEL LOCKING FEATURES									
FINISH:		REFERENCE: PART NO. SOLID LOCKING PANEL		DWG NO. SOLID LOCKING PANEL									
		PURCHASE REC.:		SCALE = 1:4 SHEET 5 OF 5									

THIS DOCUMENT / PUBLICATION / SOFTWARE / DRAWING CONTAINS PROPRIETARY INFORMATION WHICH IS THE PROPERTY OF THE PERLICK CORPORATION. IT MAY NOT BE REPRODUCED OR TRANSMITTED IN ANY FORM, ELECTRONIC OR MECHANICAL, INCLUDING PHOTOCOPYING, RECORDING, OR USED IN ANY INFORMATION STORAGE, TRANSMISSION, OR RETRIEVAL SYSTEM, WITHOUT WRITTEN PERMISSION FROM THE PERLICK CORPORATION. COPYRIGHT 2001 PERLICK CORPORATION. ALL RIGHTS RESERVED.



THIS PAGE IS FOR PLACEMENT OF REQUIRED FEATURES FOR A LOCKED DOOR. DIMENSIONS ARE IDENTICAL FOR 15in AND 24in DOORS

RE-DIMMED HOLES, ADD SEPERATE SHEET FOR LOCKING

3	4/18/2008	NAH
REVISIONS		

UNLESS OTHERWISE SPECIFIED: DIMENSIONS ARE IN INCHES TOLERANCES: .X = .XX = .XXX = ANGULAR: ±1.0°, FRACTIONS: ±1/16 BREAK SHARP EDGES - 015 X 45°. RADIUS SHARP FILLETS - .015 TO .031	SIGNATURES	DATE	Perlick Corporation Milwaukee, Wisconsin TITLE: WOOD OVERLAY GLASS PANEL WITH LOCK ASSEMBLY	
	DESIGNED NAH	2/6/2007		
	DRAWN NAH	2/6/2007		
	CHECKED	2/6/2007	REFERENCE:	
MATERIAL: WOOD	QTY.:		PART NO.	DWG NO. LOCKING WOOD GLASS PANEL
	FINISH:		PURCHASE REC.:	SCALE = 1:4 SHEET 3 OF 3

THIS DOCUMENT / PUBLICATION / SOFTWARE / DRAWING CONTAINS PROPRIETARY INFORMATION WHICH IS THE PROPERTY OF THE PERLICK CORPORATION. IT MAY NOT BE REPRODUCED OR TRANSMITTED IN ANY FORM, ELECTRONIC OR MECHANICAL, INCLUDING PHOTOCOPYING, RECORDING, OR USED IN ANY INFORMATION STORAGE, TRANSMISSION, OR RETRIEVAL SYSTEM, WITHOUT WRITTEN PERMISSION FROM THE PERLICK CORPORATION. COPYRIGHT 2001 PERLICK CORPORATION. ALL RIGHTS RESERVED.