



24" Signature Series Beverage Center Specification Sheet

- Model Nos.**
- HP24BS-1 HP24B0-1
 - HP24BS-2 HP24B0-2
 - HP24BS-3 HP24B0-3
 - HP24BS-4 HP24B0-4



HP24BS-3L



HP24BS-1R

Features:

- Designed with fully-integrated depth to allow flush fit with surrounding cabinetry (with 3/4" wood overlay)
- Zero-clearance hinging allows for abutment with surrounding cabinetry
- Perlick's exclusive Variable Speed Compressor
- Front-vented, forced-air refrigeration
- Industry Exclusive full-extension shelves, stainless steel fronts on wine shelves
- Industry Exclusive stainless steel interior
- Two (2) year full warranty on complete unit – Additional four year limited warranty on the sealed refrigeration system
- Industry Exclusive Convertible Door Design allows all doors to be converted to wood overlay from stainless steel
- Low E, UV coated glass provides industry leading insulation and protection
- Door locks available
- Interior digital display
- Allows for storage of both wine and beverages
- Two (2) full-extension wine shelves and one (1) full-extension vinyl-coated shelf
- Shelving positions are adjustable to suit your needs
- Available with a solid stainless steel door, solid wood overlay door, glass door with stainless trim or glass door with wood trim
- Beverage Center temperature 36 – 48 degrees F
- Will hold 16 wine bottles, 54 cans and 24 water bottles
- 5.3 cubic feet of capacity

Luxury YOU DESIRE.
 INNOVATION YOU CAN'T LIVE WITHOUT.



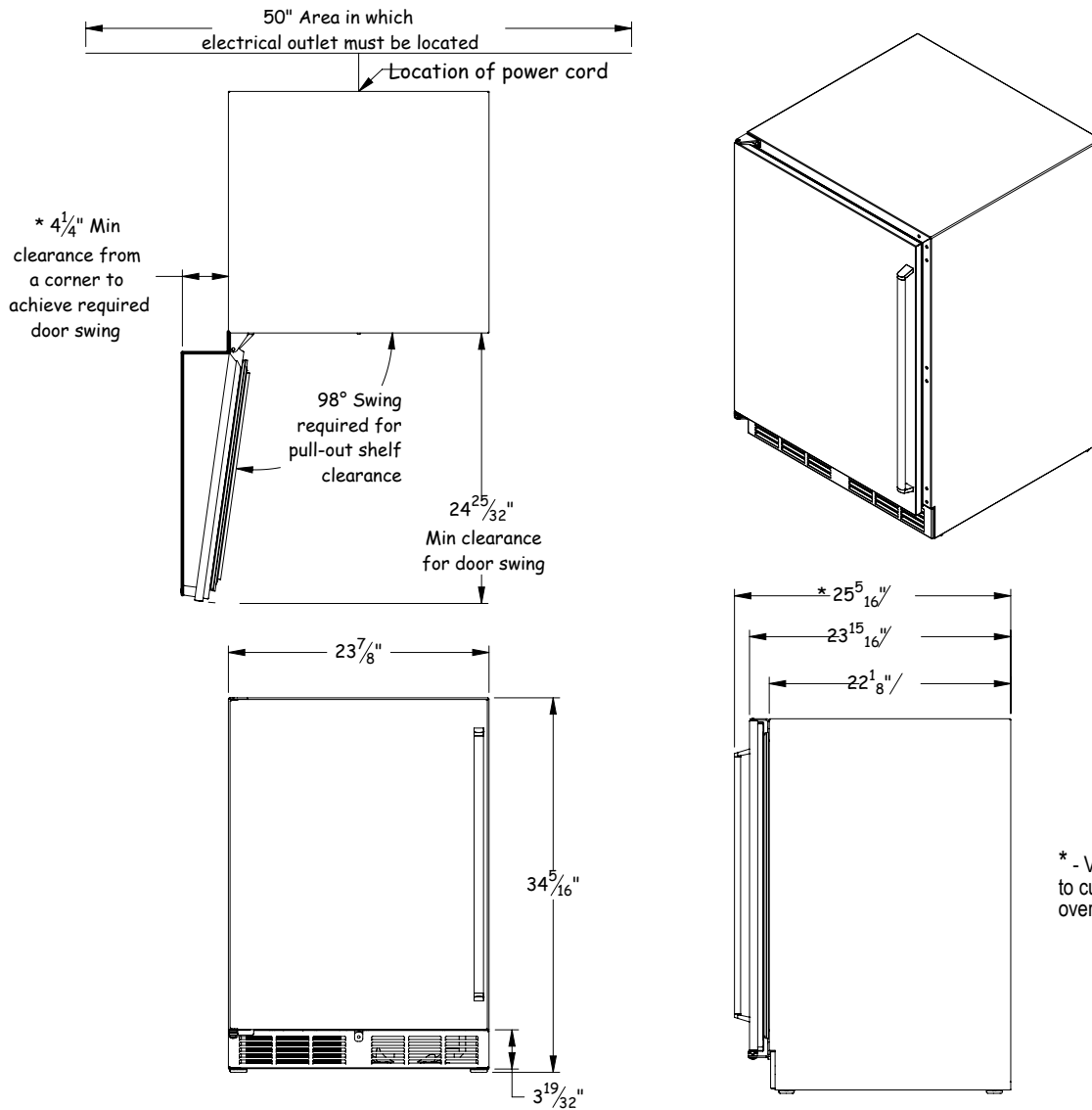
8300 W. Good Hope Rd. • Milwaukee, WI 53223
 1-800-558-5592 • Fax: (414) 353-7069 • www.Perlick.com

Perlick is committed to continuous improvement. Therefore, we reserve the right to change specifications without warning

Indoor Models	Outdoor Models	Beverage Centers
HP24BS-1	HP24BO-1	24" Beverage Center with solid stainless door
HP24BS-2	HP24BO-2	24" Beverage Center with solid wood overlay door
HP24BS-3	HP24BO-3	24" Beverage Center with stainless glass door
HP24BS-4	HP24BO-4	24" Beverage Center with wood overlay glass door

Job _____
Area _____
Item No. _____
Model No. _____

Overall Width: 23-7/8", 60.643 cm
Overall Height: 34-5/16", 87.154 cm
Overall Depth: 23-15/16", 60.801 cm
Capacity: 5.3 cubic ft.
Minimum Height Required: 34-3/8"
Door Swing Clearance: 24-25/32"
Annual Energy Usage: 319 kWh/yr
Electrical: 115V, 60 Hz., 1 phase AC, 2.3 amps
Plumbing: none required
Shipping Weight: 215 lbs., 97.522 kg



* - Values may change due to custom pull with a wood overlay door



8300 W. Good Hope Rd. • Milwaukee, WI 53223

1-800-558-5592 • Fax: (414) 353-7069 • www.Perlick.com

Perlick is committed to continuous improvement. Therefore, we reserve the right to change specifications without warning