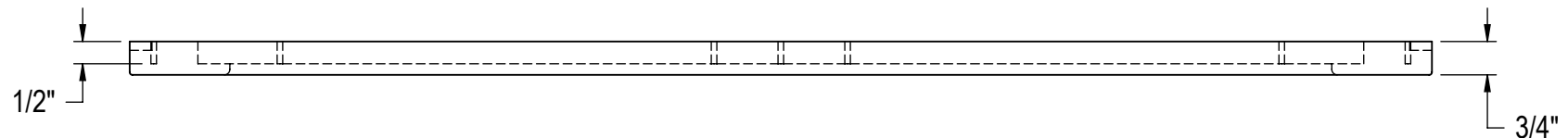
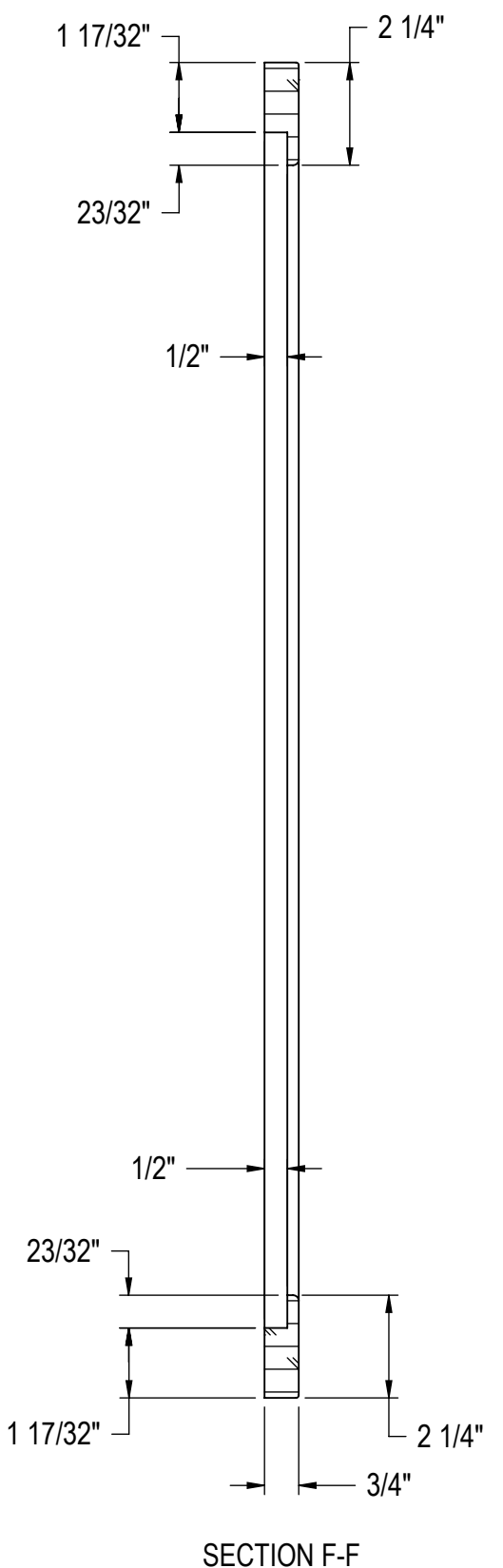
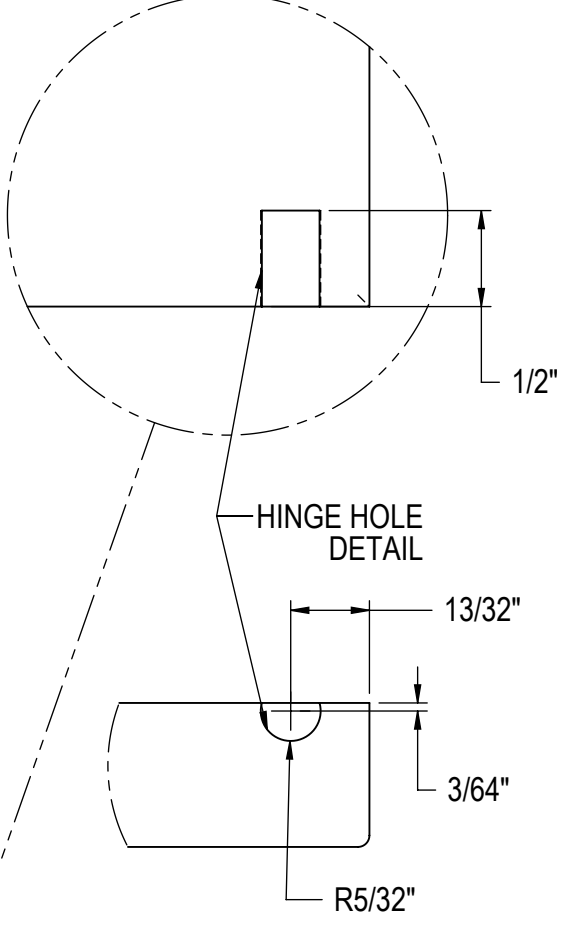
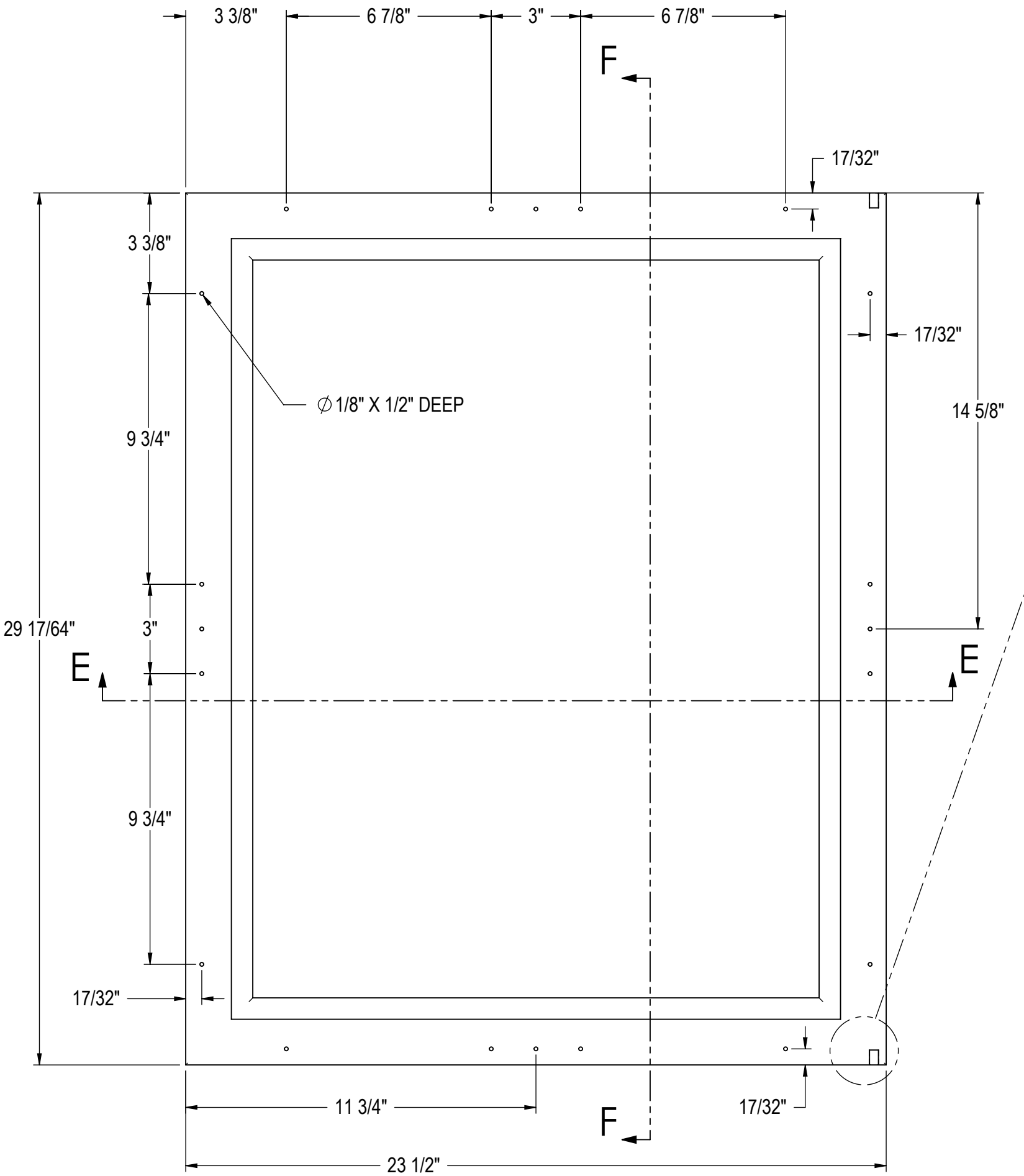
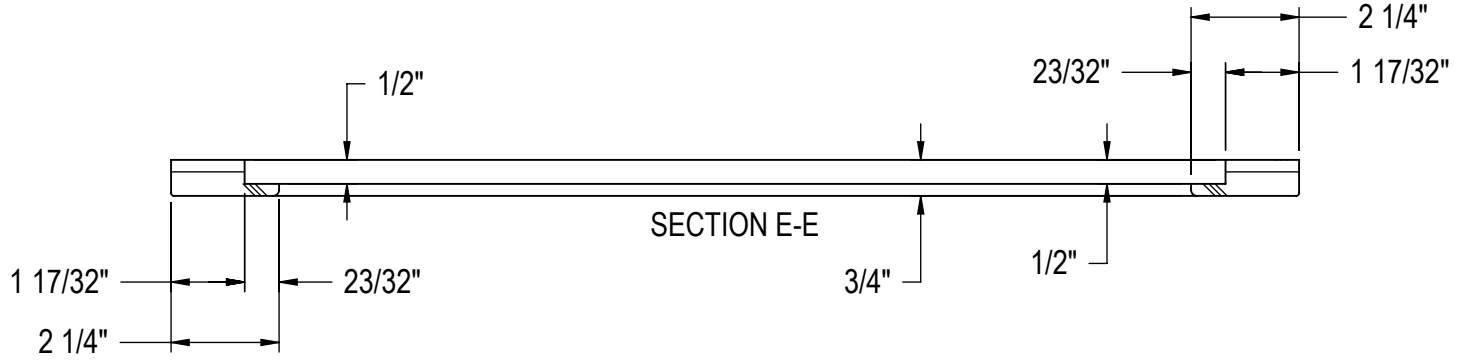


5/19/2004	
REVISIONS	

UNLESS OTHERWISE SPECIFIED: DIMENSIONS ARE IN INCHES TOLERANCES: XX = XXX = ANGULAR: ±1.0°; FRACTIONS: ±1/16 BREAK SHARP EDGES - 015 X 45° RADIUS SHARPP FILLETS - 015 TO .031		SIGNATURES	DATE	Perlick Corporation Milwaukee, Wisconsin	
MATERIAL:		DESIGNED DWW	5/19/2004		
FINISH:		DRAWN	5/19/2004	TITLE: WOOD OVERLAY TEMPLATE, SOLID DOOR, 24IN SIGNATURE SERIES	
		CHECKED	5/19/2004	REFERENCE:	
		QTY.:		PART NO.	DWG NO.
		FINISH:		PURCHASE REC.: YES	SCALE = 1:4 SHEET 1 OF 3
THIS DOCUMENT / PUBLICATION / SOFTWARE / DRAWING CONTAINS PROPRIETARY INFORMATION WHICH IS THE PROPERTY OF THE PERLICK CORPORATION. IT MAY NOT BE REPRODUCED OR TRANSMITTED IN ANY FORM, ELECTRONIC OR MECHANICAL, INCLUDING PHOTOCOPYING, RECORDING, OR USED IN ANY INFORMATION STORAGE, TRANSMISSION, OR RETRIEVAL SYSTEM, WITHOUT WRITTEN PERMISSION FROM THE PERLICK CORPORATION. COPYRIGHT 2001 PERLICK CORPORATION. ALL RIGHTS RESERVED.					



5/19/2004
REVISIONS

UNLESS OTHERWISE SPECIFIED: DIMENSIONS ARE IN INCHES TOLERANCES: XX = XXX = ANGULAR: ±1.0°; FRACTIONS: ±1/16 BREAK SHARP EDGES - .015 X 45° RADIUS SHARP FILLETS - .015 TO .031		SIGNATURES	DATE	Perlick Corporation Milwaukee, Wisconsin TITLE: WOOD OVERLAY TEMPLATE, GLASS DOOR, 24IN SIGNATURE SERIES	
DESIGNED	DWW	5/19/2004	REFERENCE:		
DRAWN		5/19/2004	PART NO.		
CHECKED		5/19/2004	PURCHASE REC.: YES		SCALE = 1:4
MATERIAL:		QTY.:		SHEET 2 OF 3	
FINISH:				CORPORATION, COPYRIGHT 2001 PERLICK CORPORATION. ALL RIGHTS RESERVED.	

